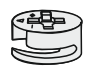
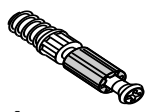
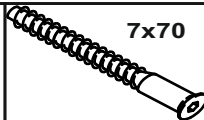


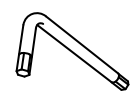
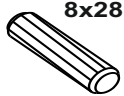


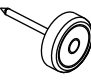
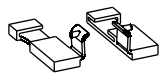


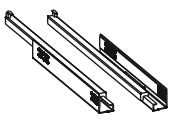


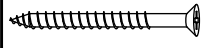


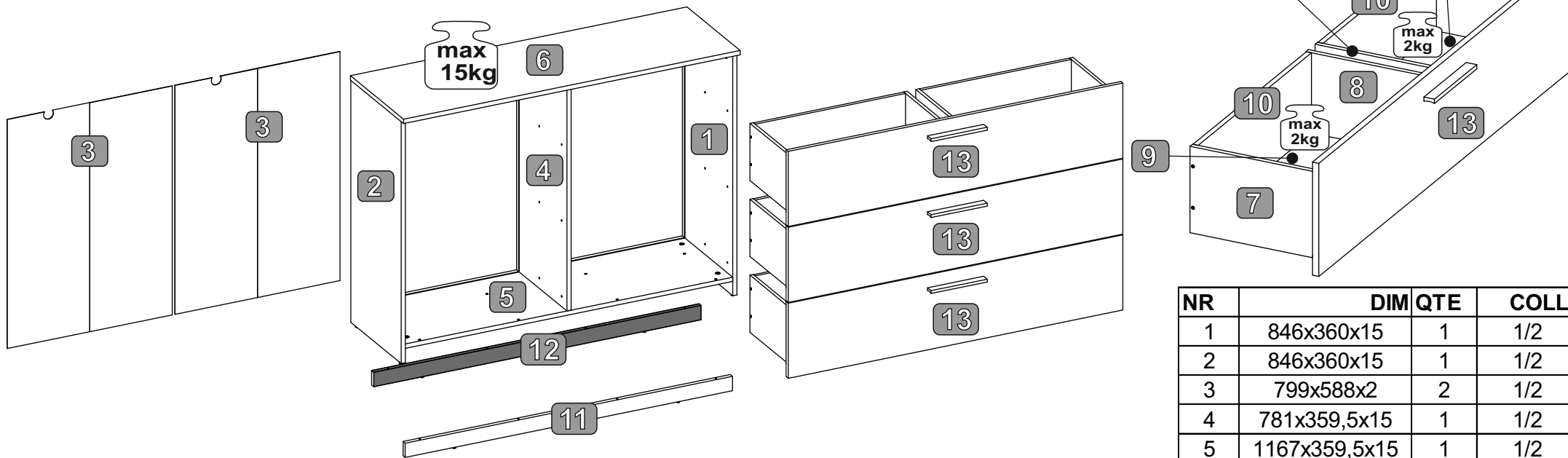
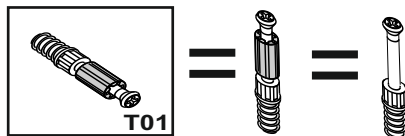
 15x12 10x T02	 12x9,5 24x T12	 34x T01	 7x70 2x W70	 Z4 1x K01	 5x40 32x W16	 L3 1x K02	 8x28 60x D01	 40x R01	 3x U50
 10x S01	 6X _{L+R} B12	 6x11 24x W12	 3,5x13 24x W02	 6X _{L+R} P05	 4x25 6x W05	 2x F01	 2x F11	 2x F13	 4x13 4x W07

LIV'IN

1x LIV'IN



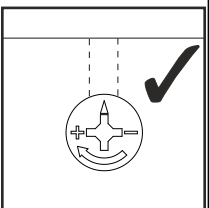
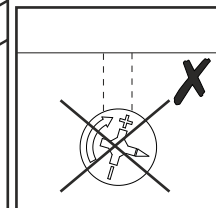
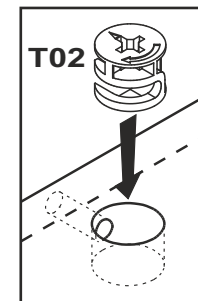
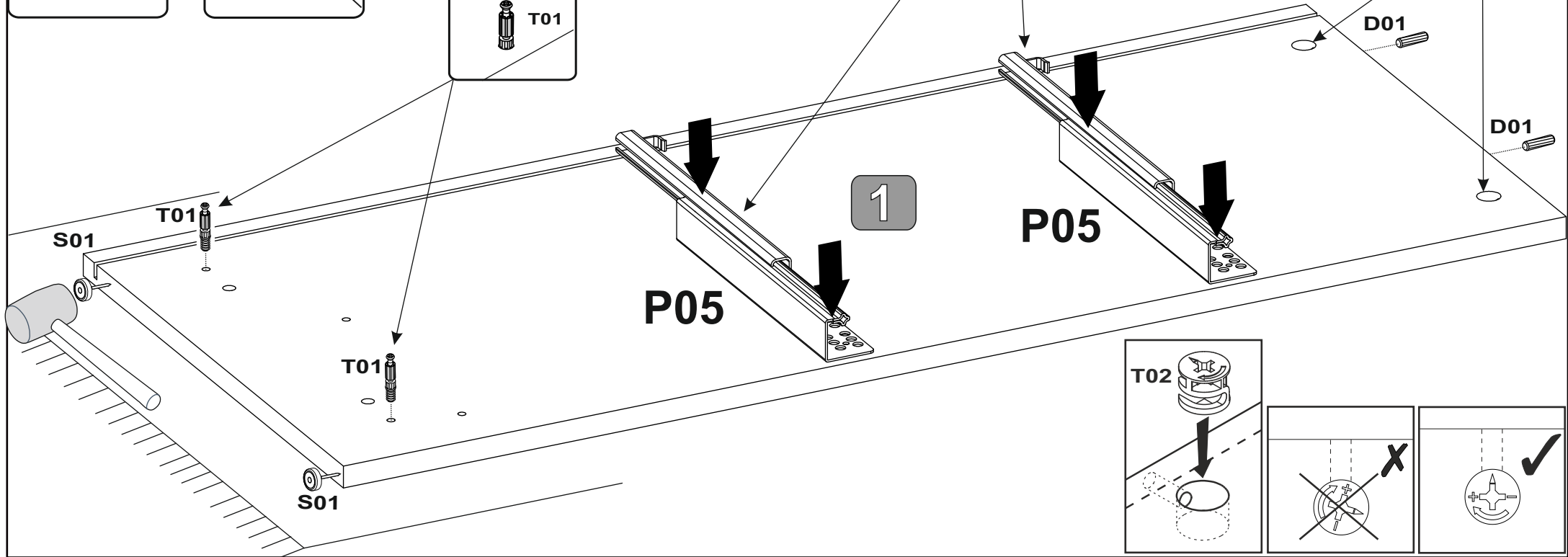
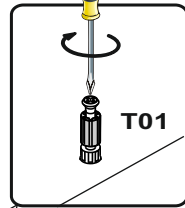
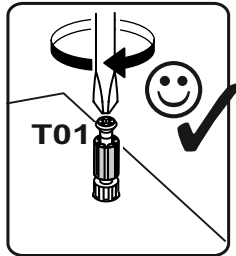
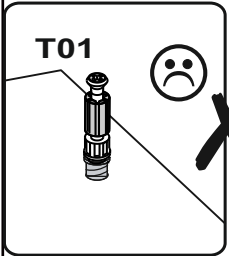
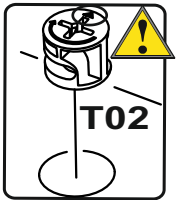
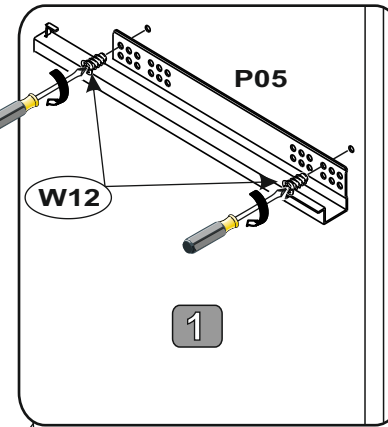
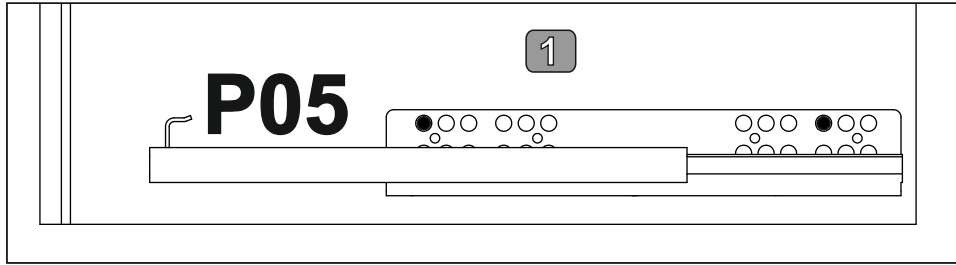
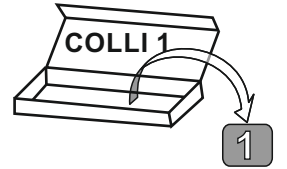
NR	DIM	QTE	COLLI
1	846x360x15	1	1/2
2	846x360x15	1	1/2
3	799x588x2	2	1/2
4	781x359,5x15	1	1/2
5	1167x359,5x15	1	1/2
6	1200x380x15	1	1/2
7	300x200x12	6	2/2
8	300x200x12	6	2/2
9	547x300x2	6	2/2
10	536x200x12	6	2/2
11	1167x50x15	1	2/2
12	1167x50x15	1	2/2
13	1193x262x15	3	2/2

0 10 20 30 40 50 60 70 80 90 100 110 120 130 140 150 160 170 180 190 200

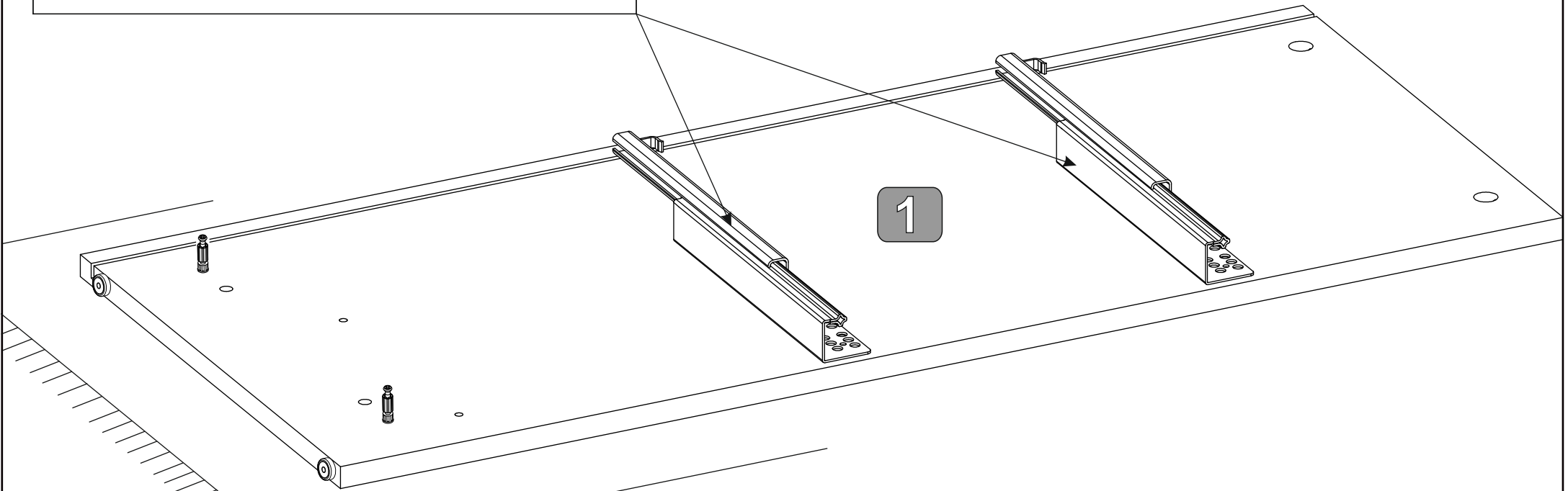
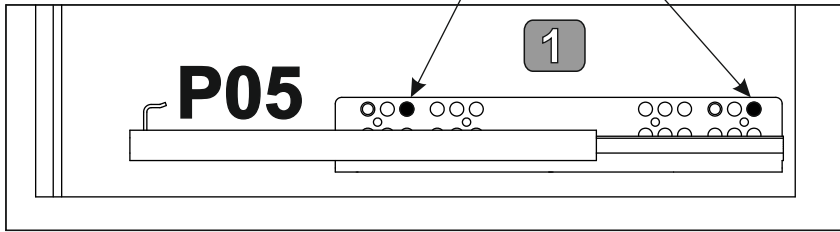
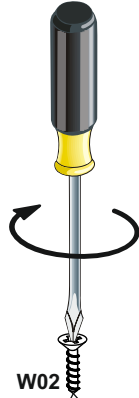
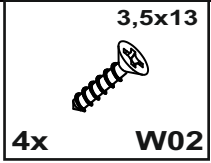


1

- 8x28 2x D01
- 15x12 2x T02
- 6x11 4x W12
- 2x_R P05
- 2x S01
- 2x T01

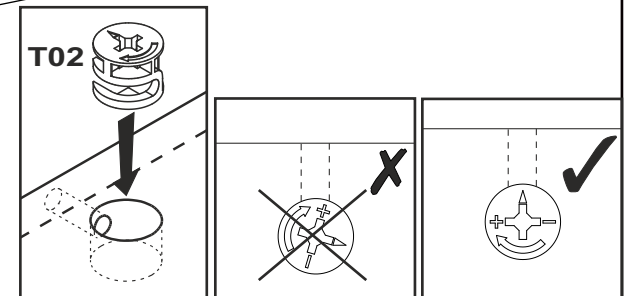
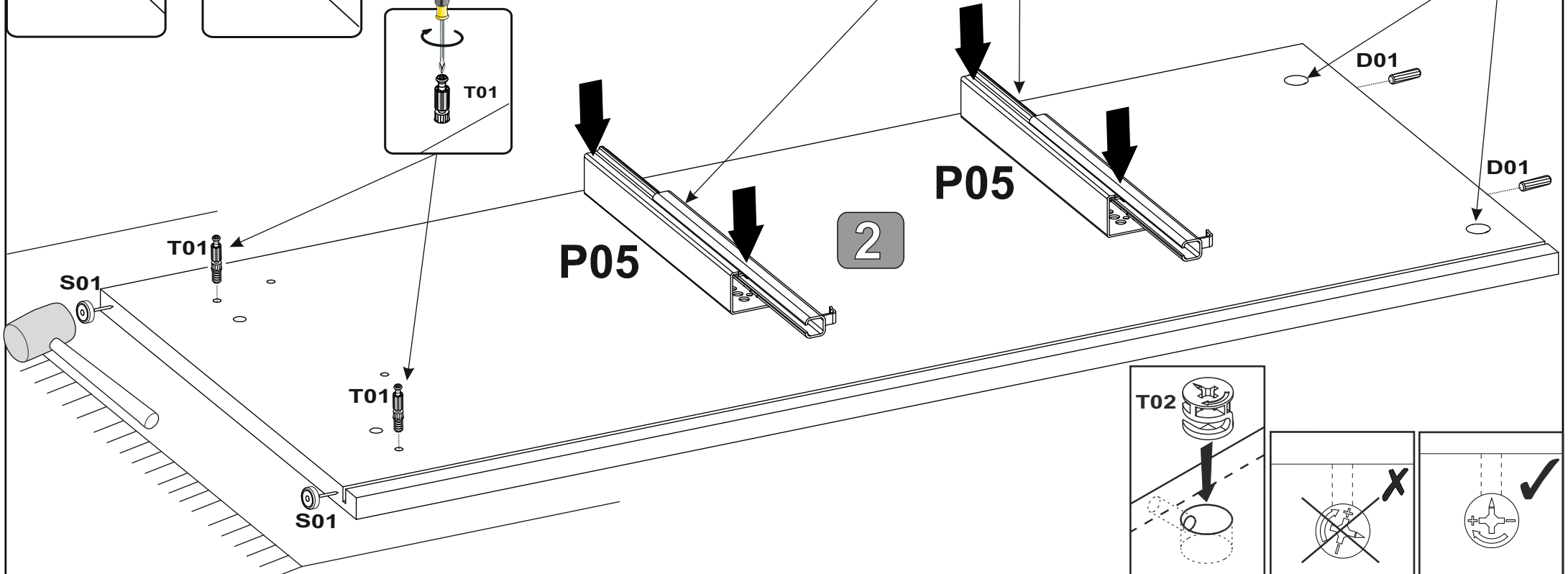
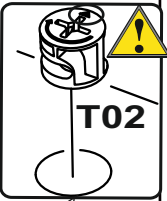
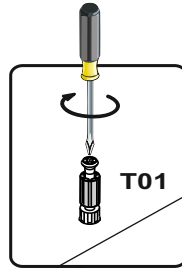
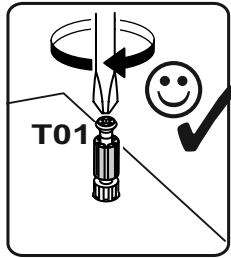
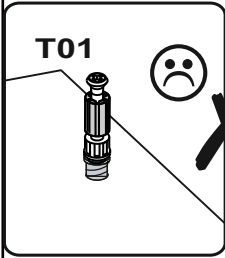
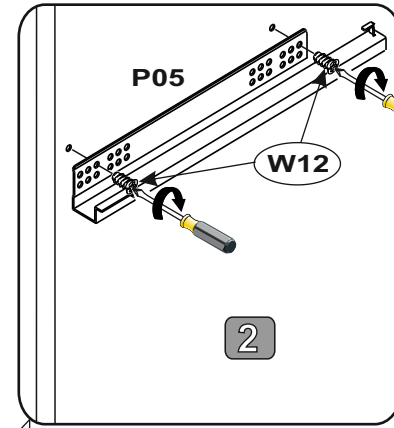
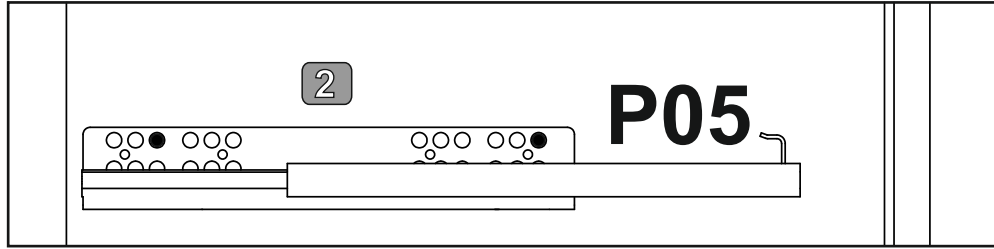
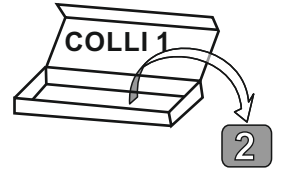


2



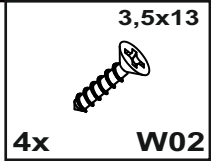
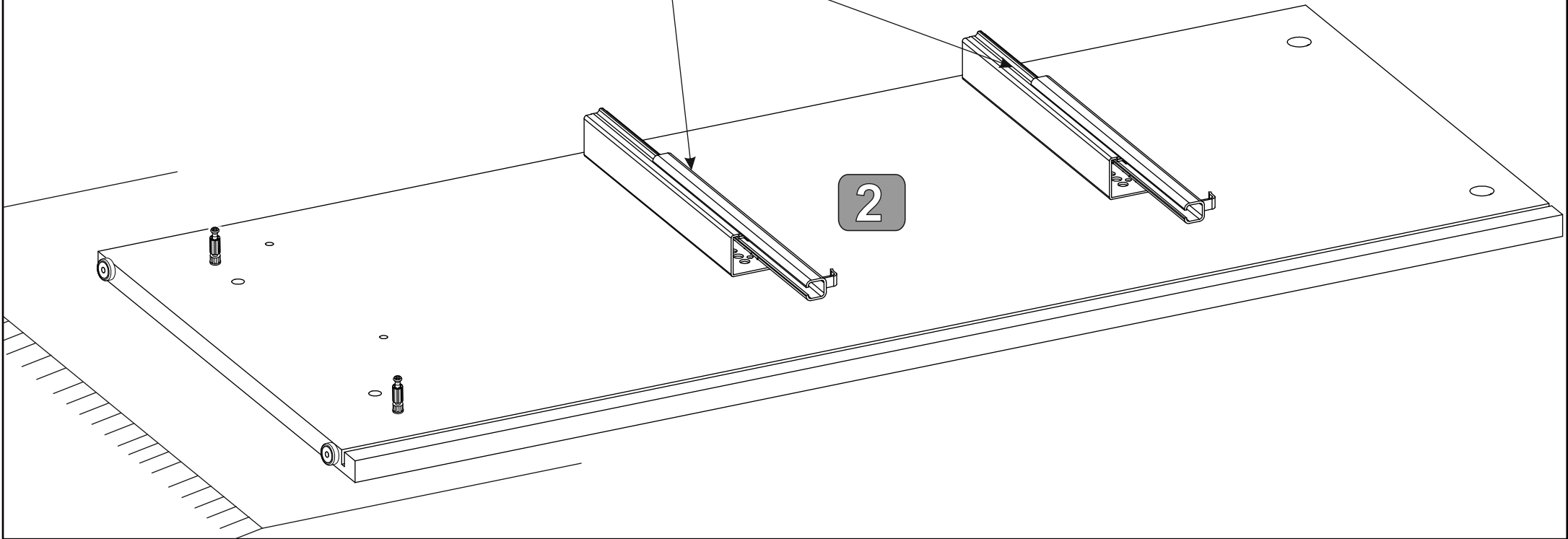
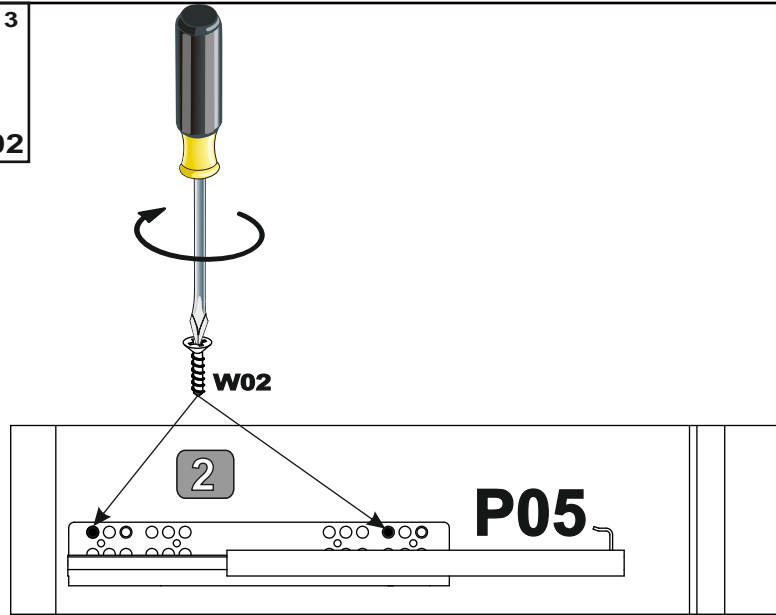
3

- 8x28 2x D01
- 15x12 2x T02
- 6x11 4x W12
- 2x S01
- 2x T01
- 2x L P05


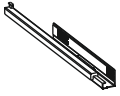
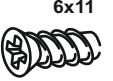




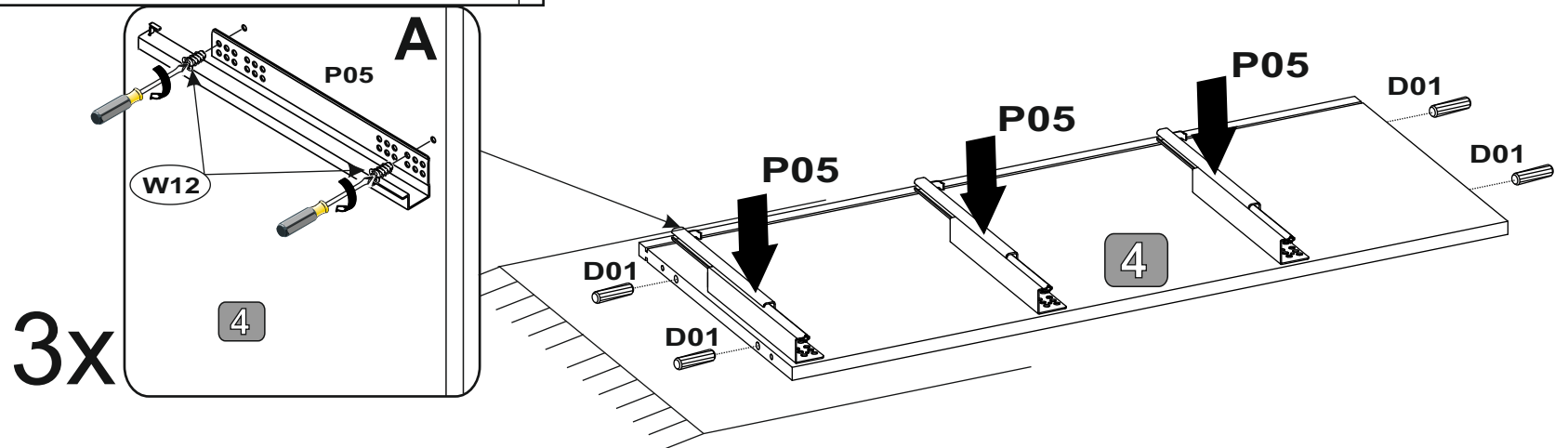
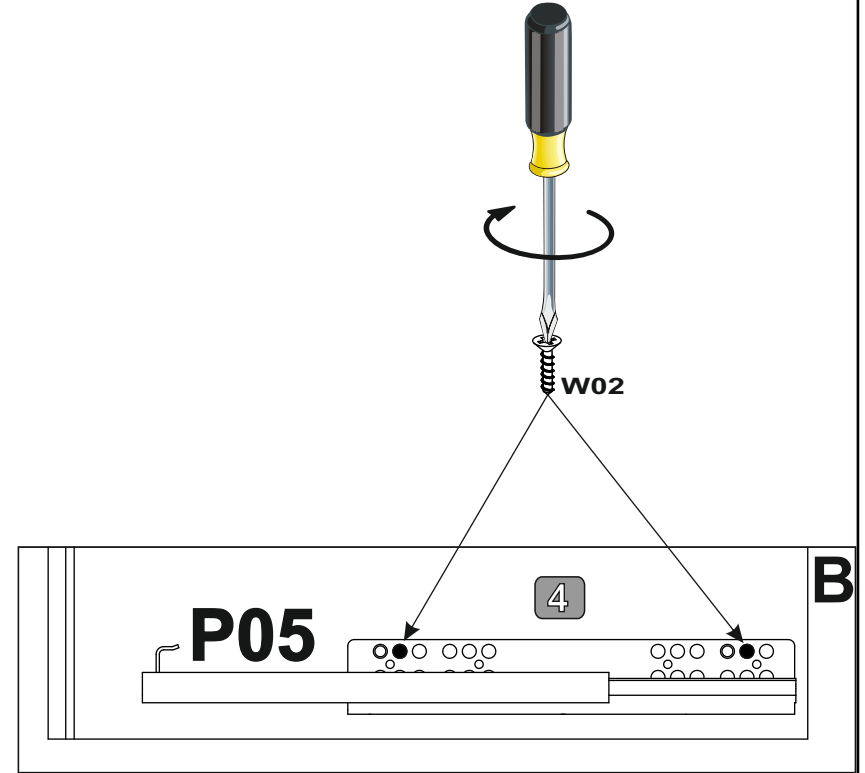
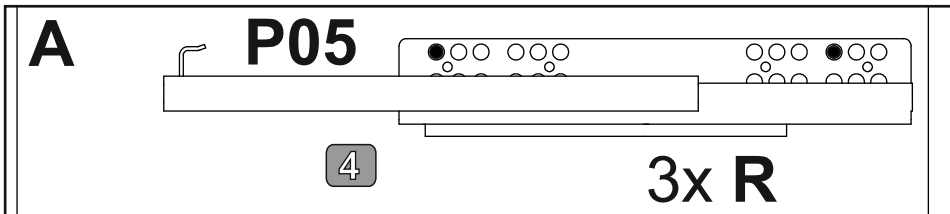
4

3,5x13
4x W02

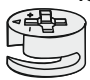

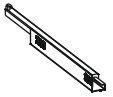

A rectangular box containing the text '3,5x13' at the top, '4x' on the left side, and 'W02' at the bottom. In the center, there is a small illustration of a screw with a Phillips head.

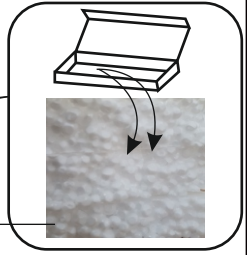
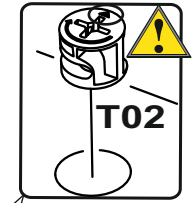
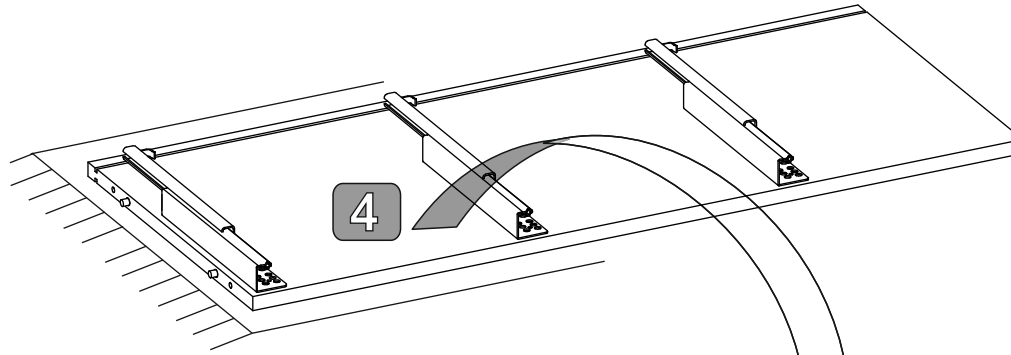
5

 8x28 4x D01	 3x R P05	 6x11 6x W12	 COLLI 1 4
 3,5x13 6x W02			

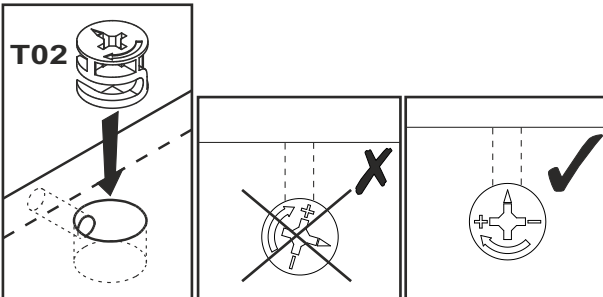
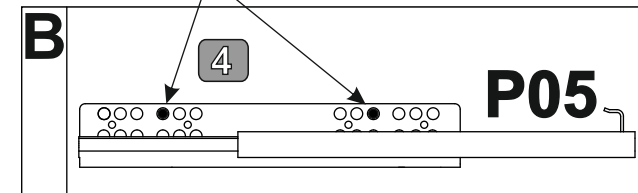
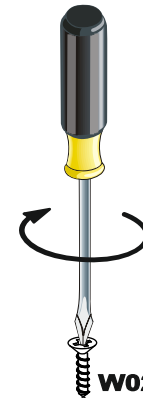
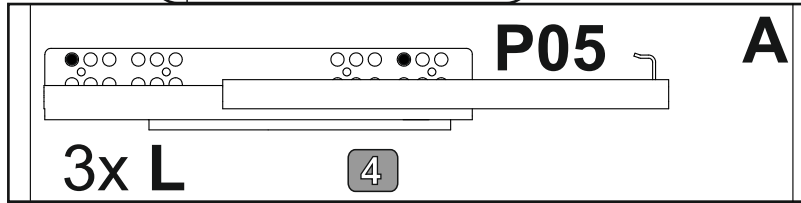
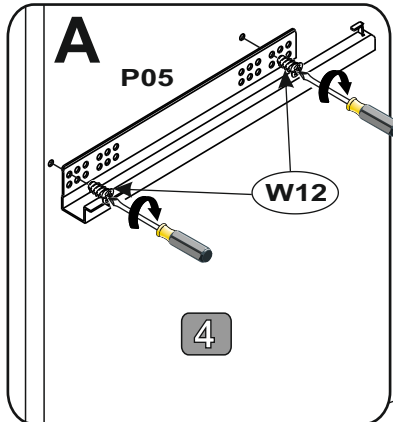


6

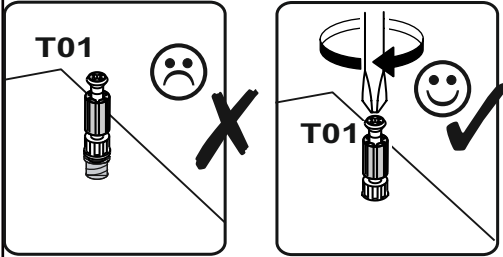
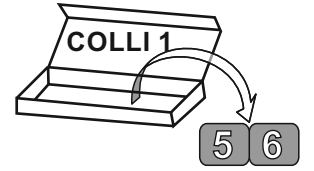
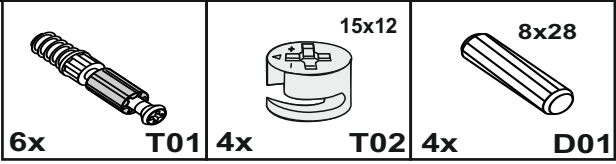
15x12  2x T02	3,5x13  6x W02
 3xL P05	6x11  6x W12



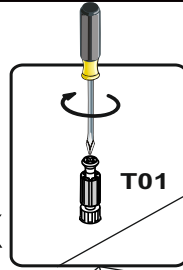
3x



7



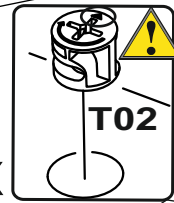
6x



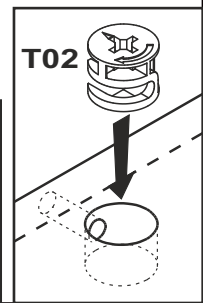
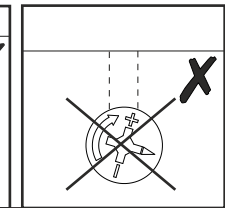
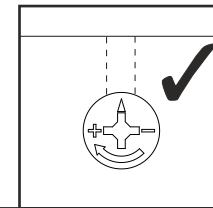
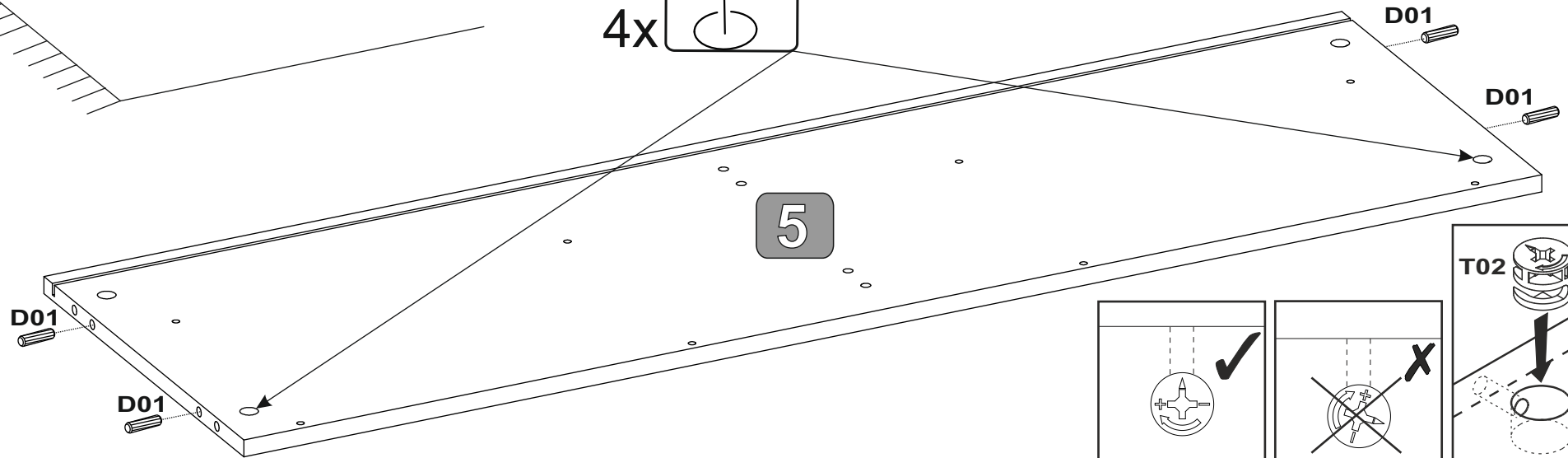
6




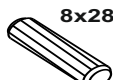
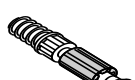
4x

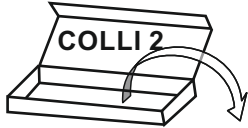


5

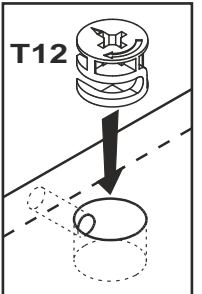


8

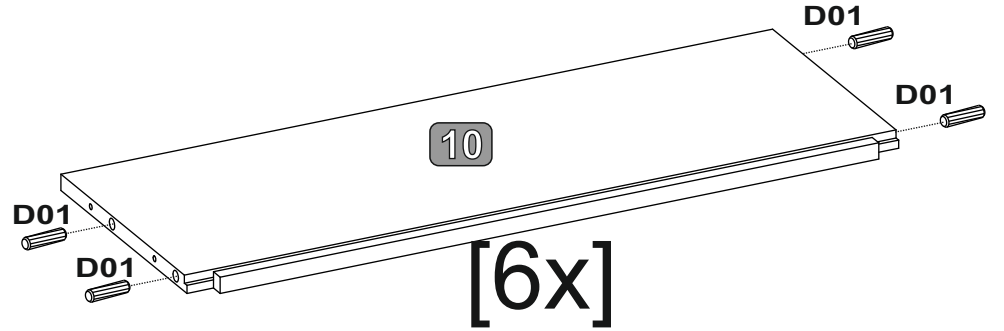
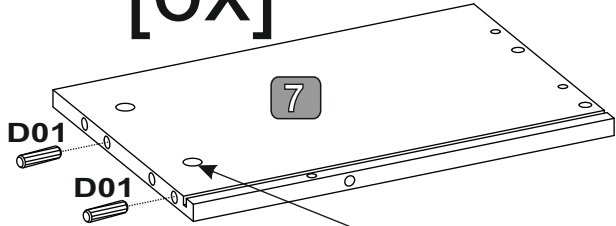
 12x9,5 24x T12	 8x28 48x D01	 24x T01
--	--	--



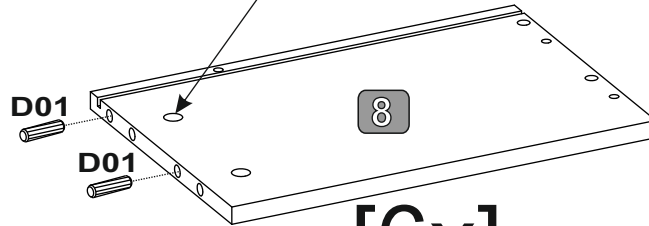
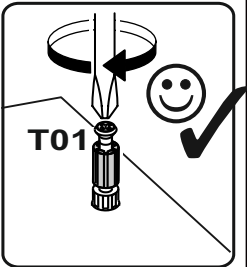
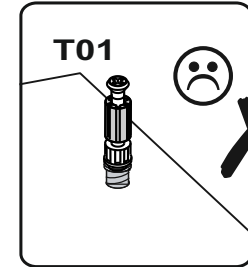
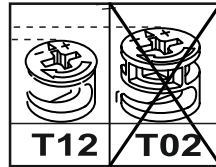
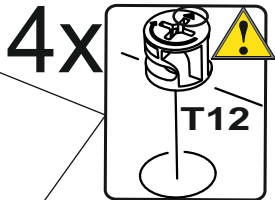
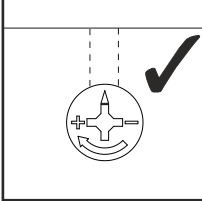
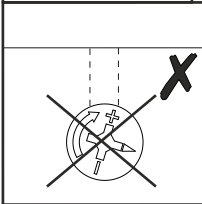
7 8 9 10 13



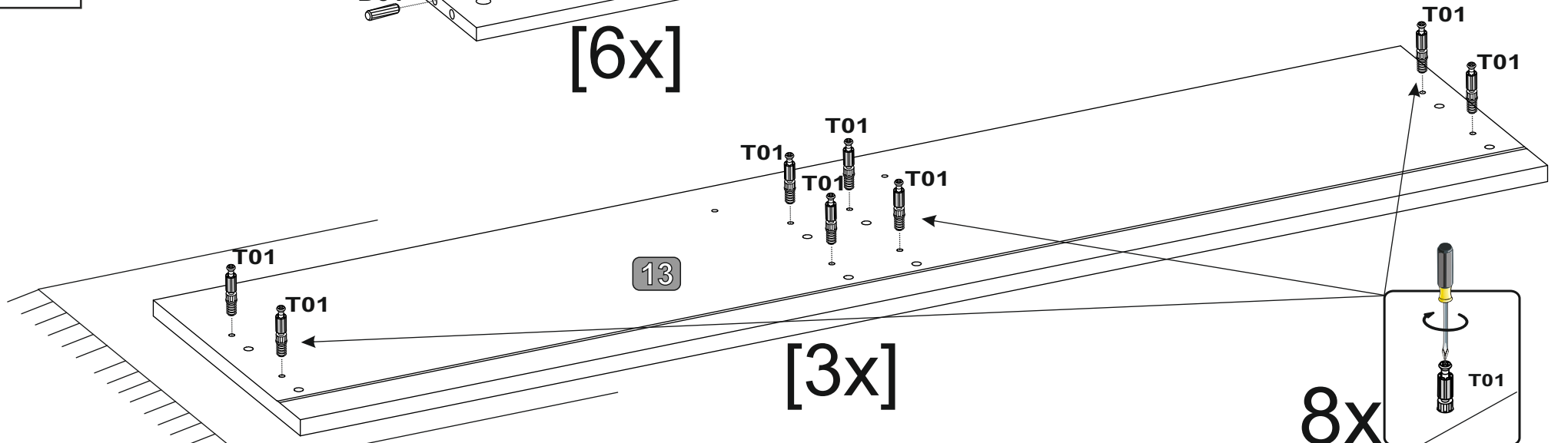
[6x]



[6x]

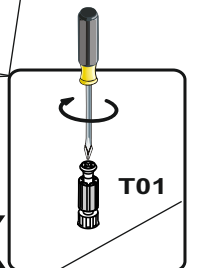


[6x]

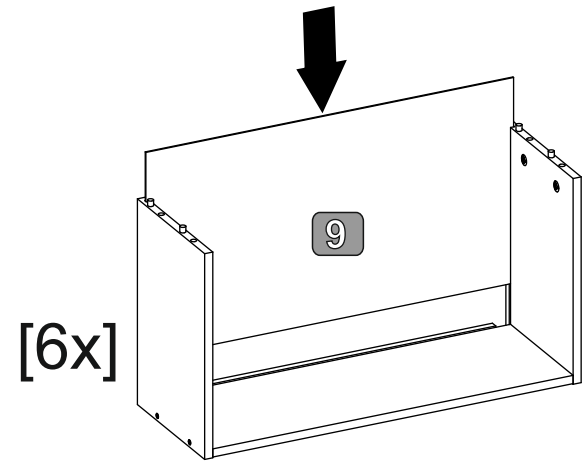
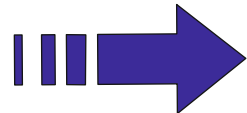
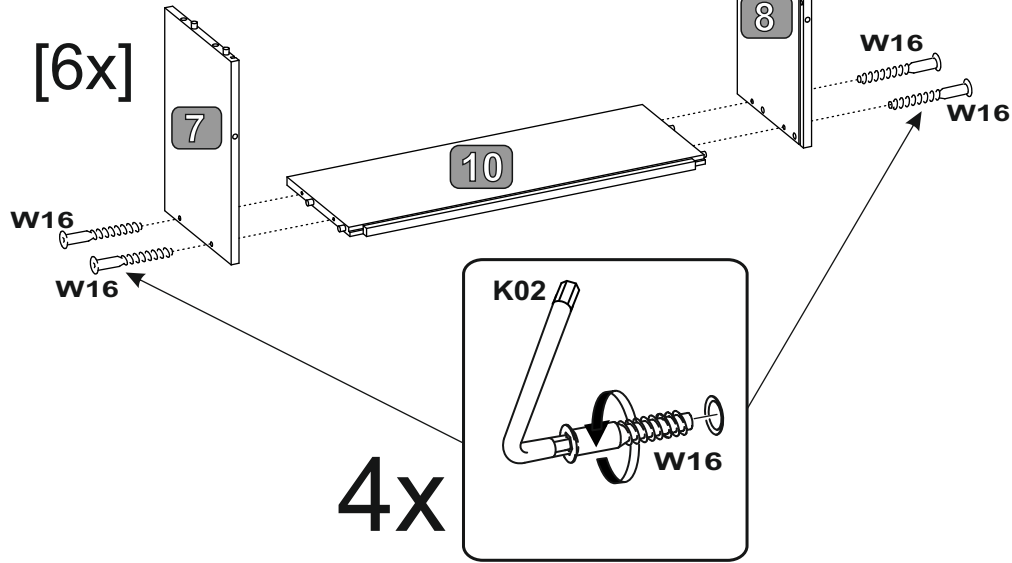
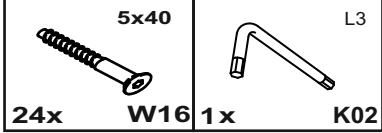


[3x]

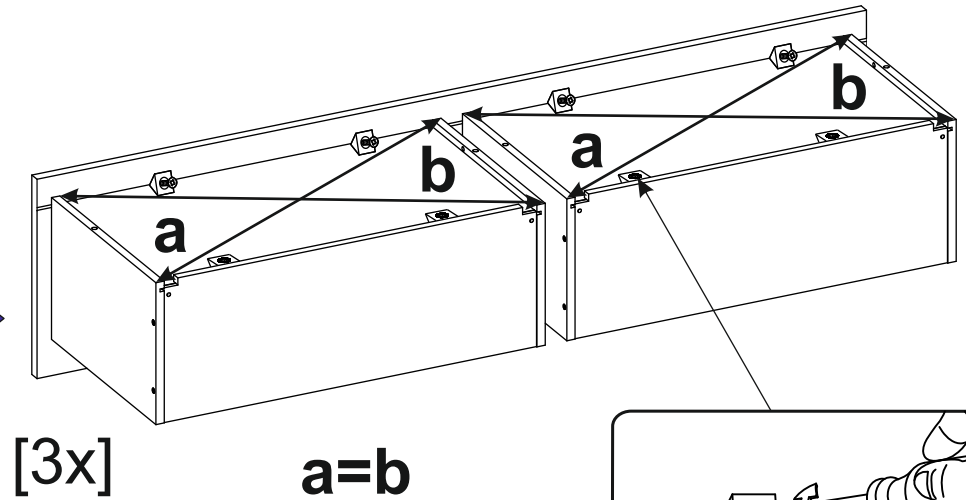
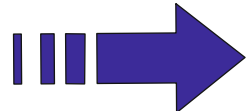
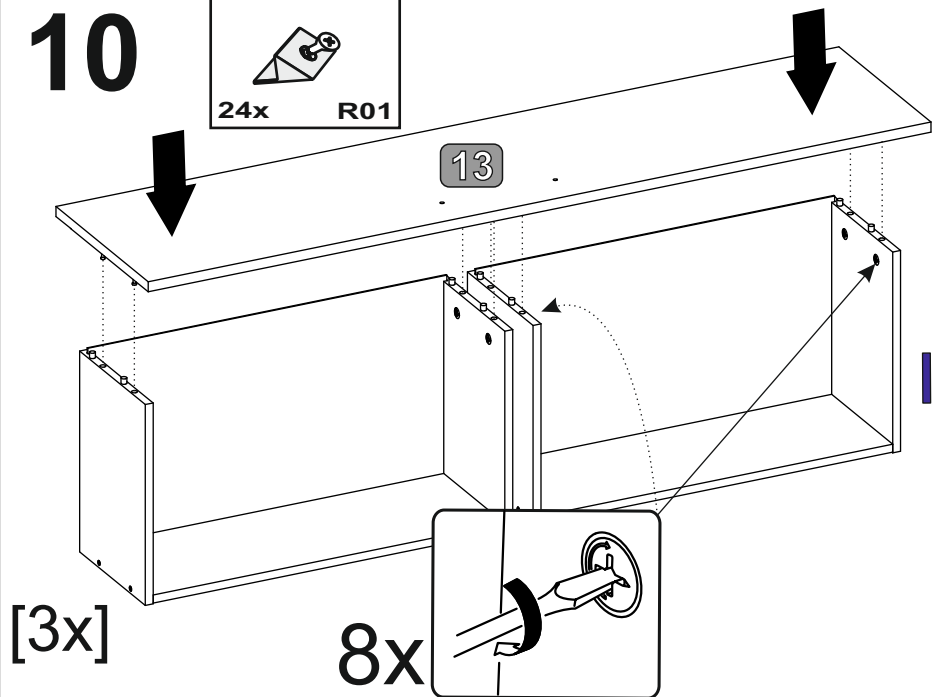
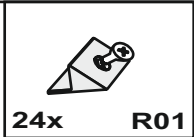
8x



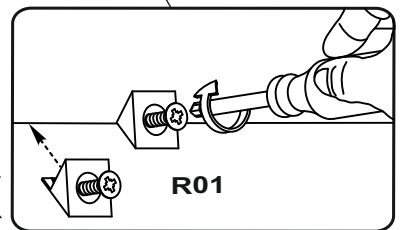
9



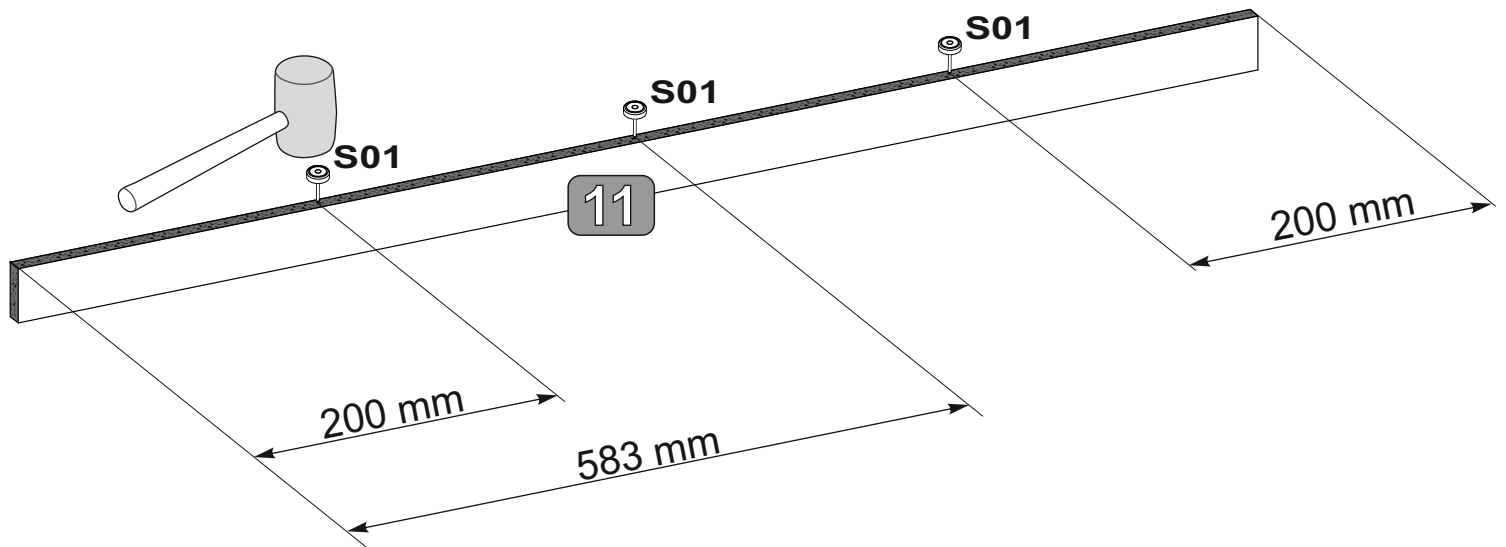
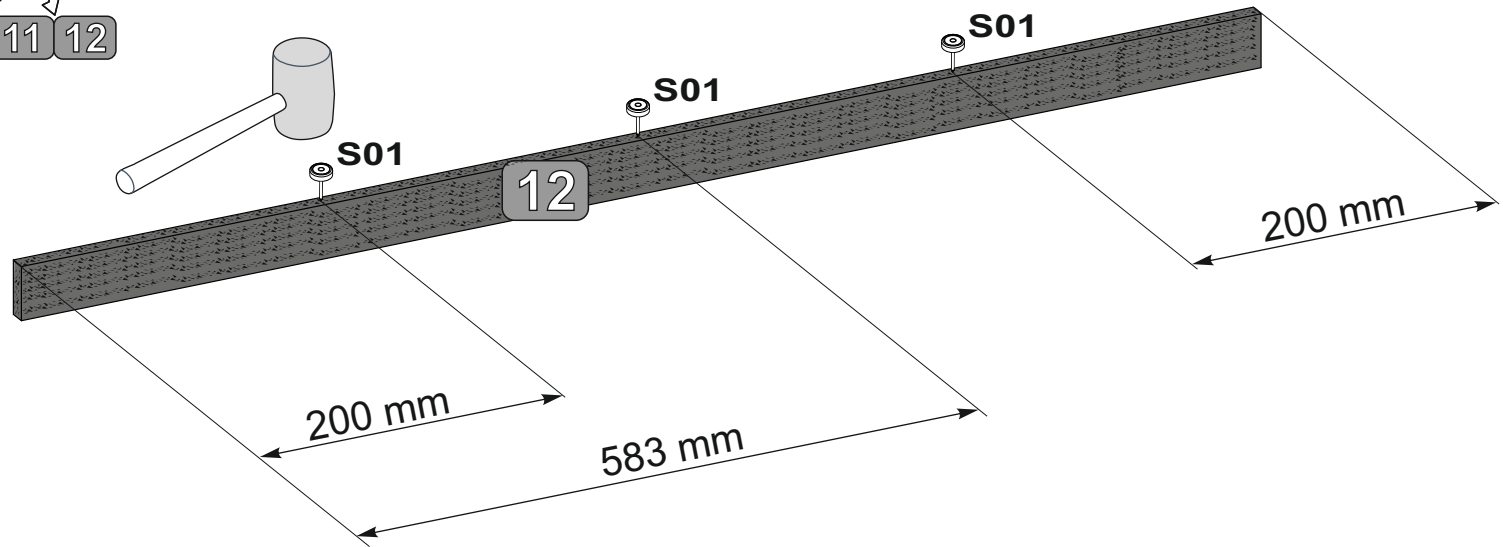
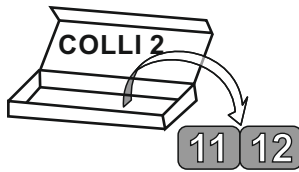
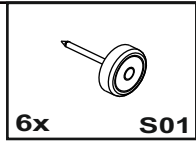
10



8x

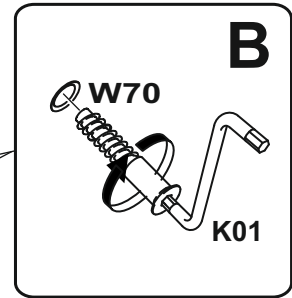
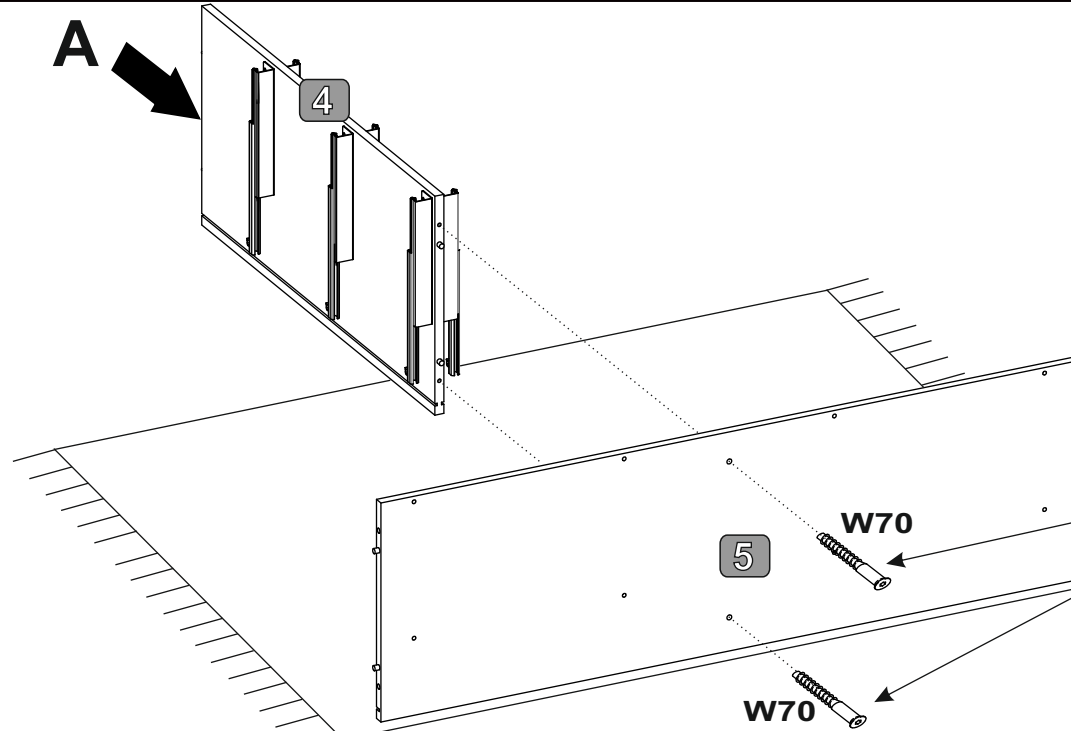


11



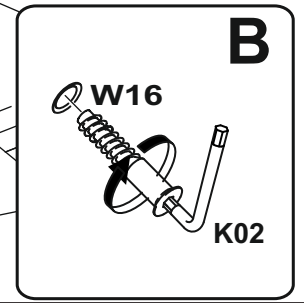
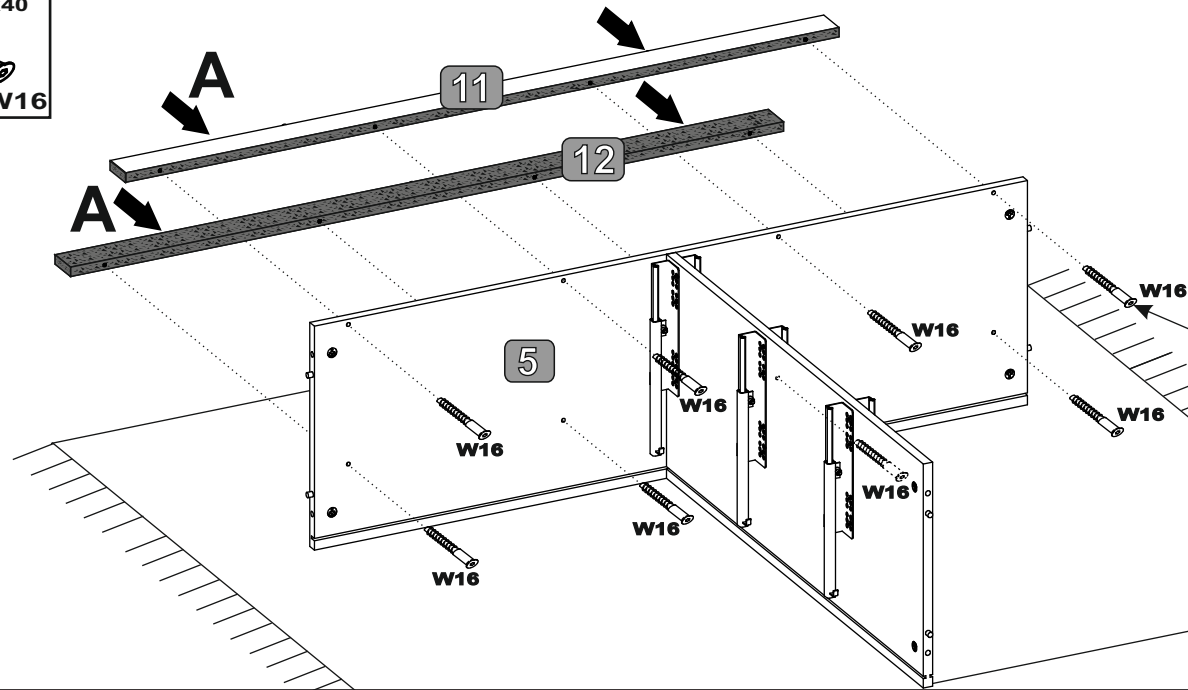
12

- Z4
- 1x K01
- 7x70
- 2x W70



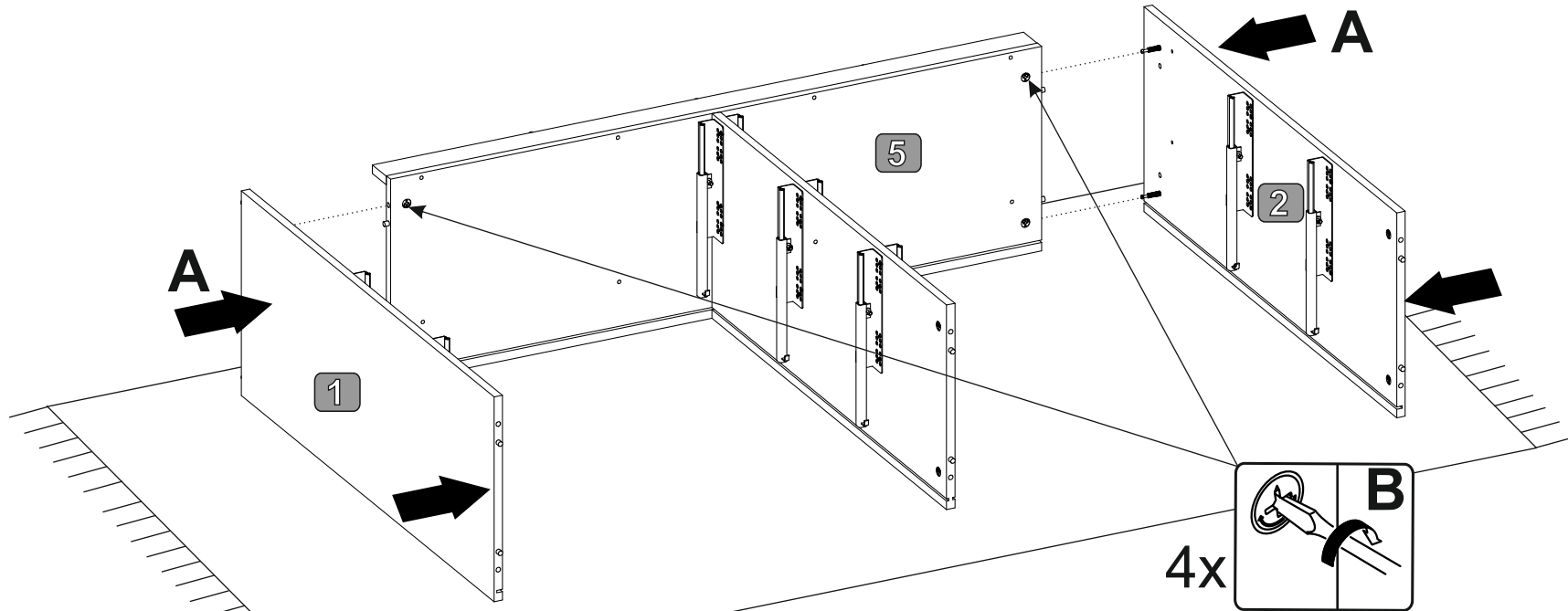
13

- L3
- 1x K02
- 5x40
- 8x W16

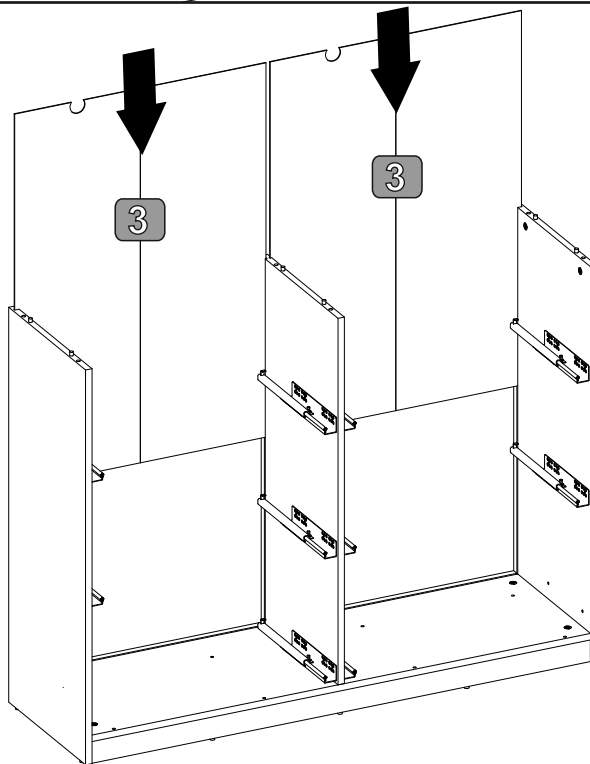
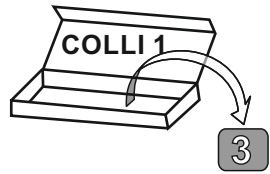


8x

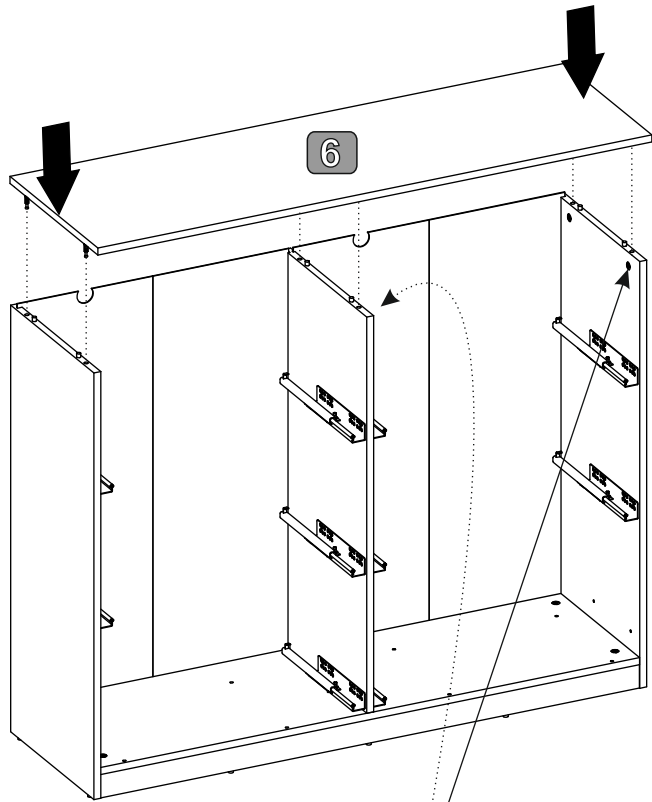
14



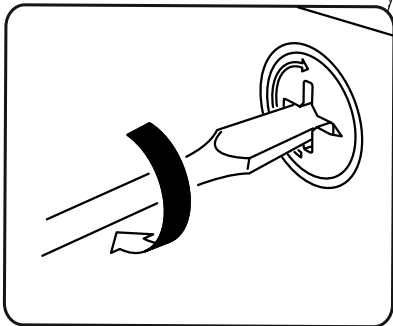
15



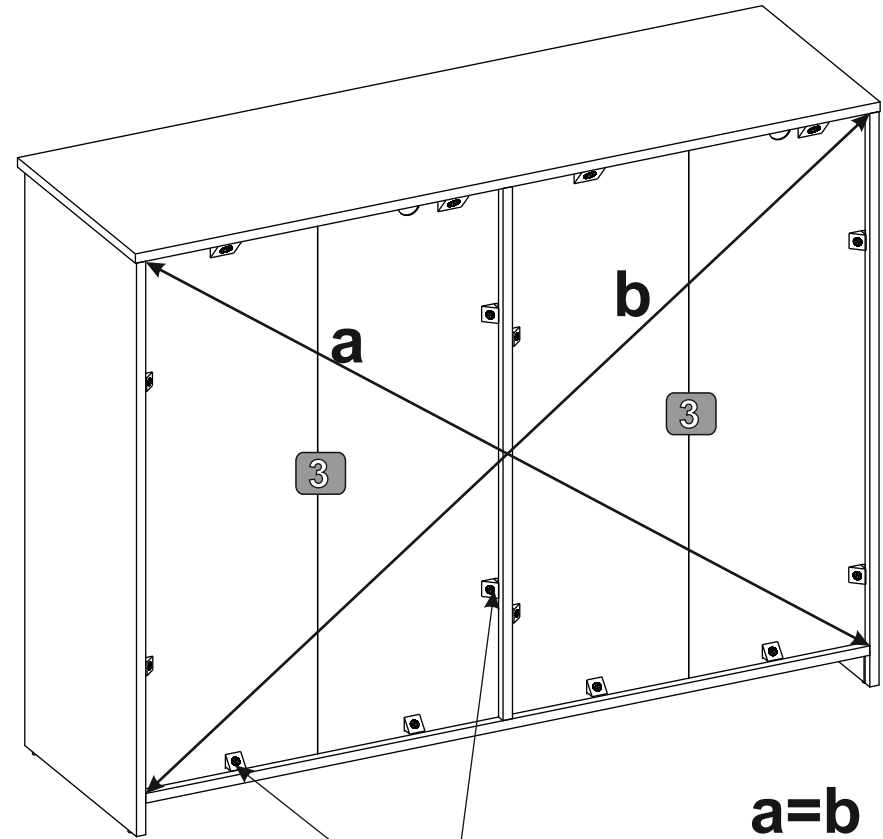
16



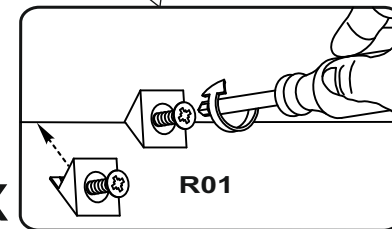
6x




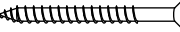


17

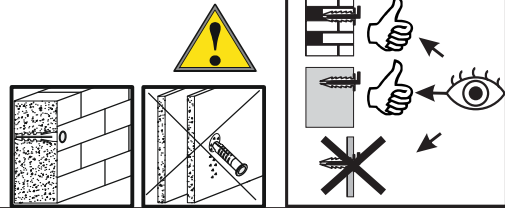
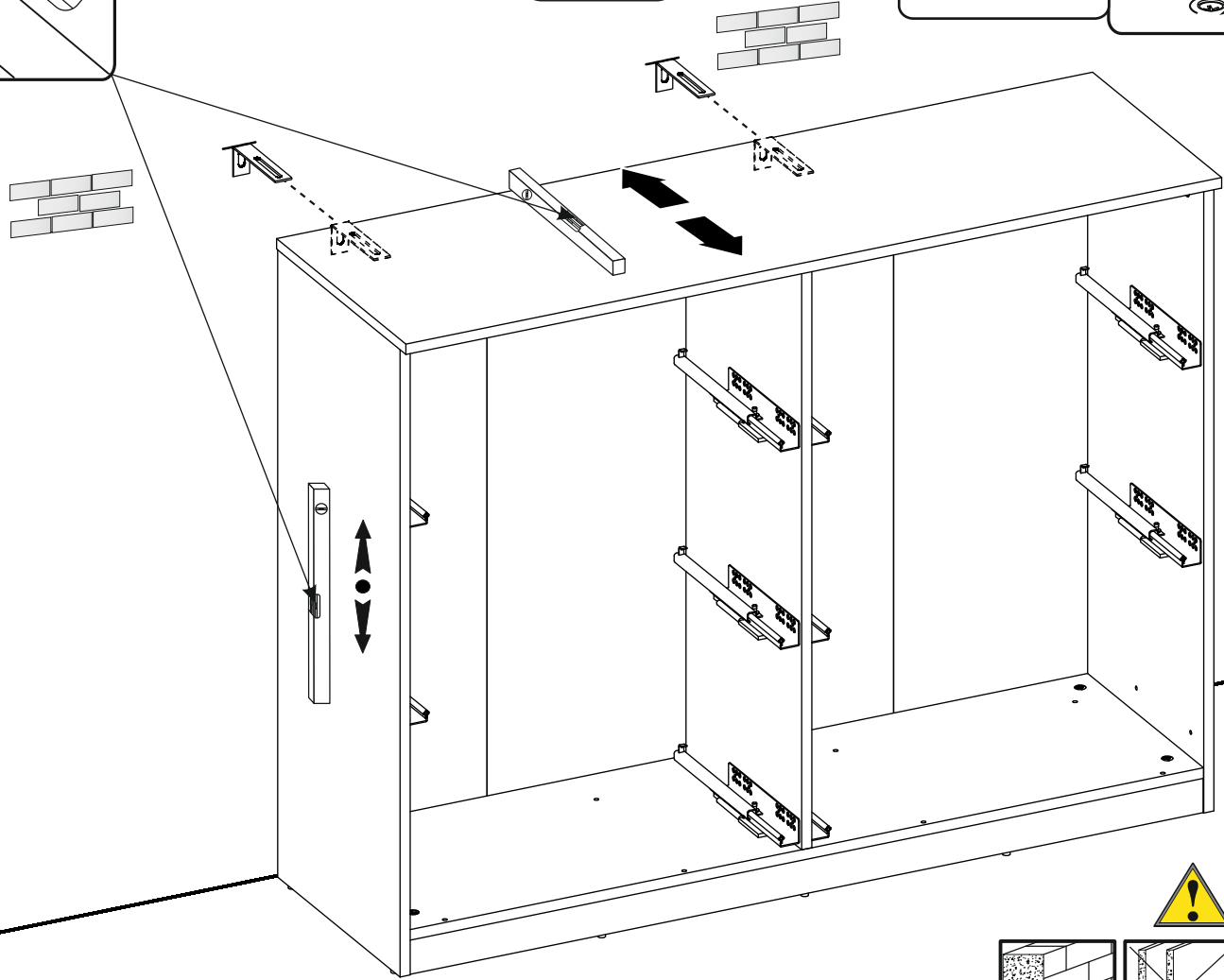
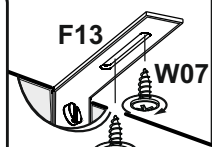
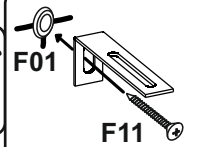
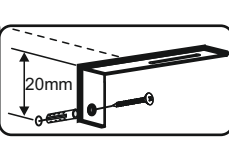
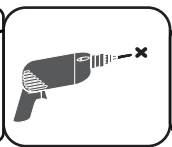
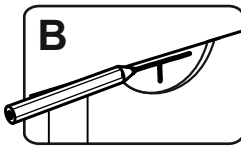
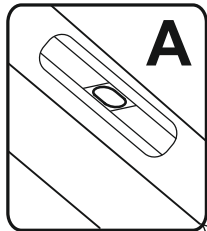


16x



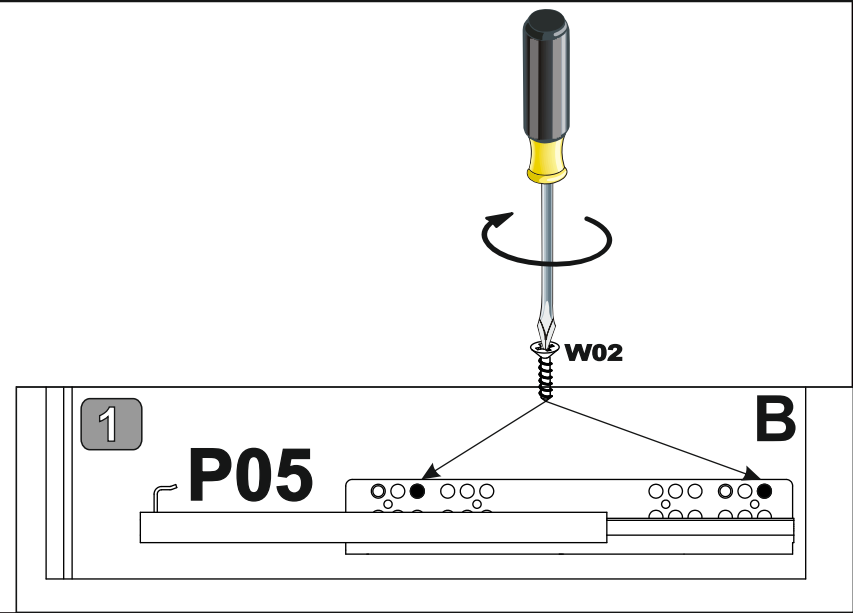
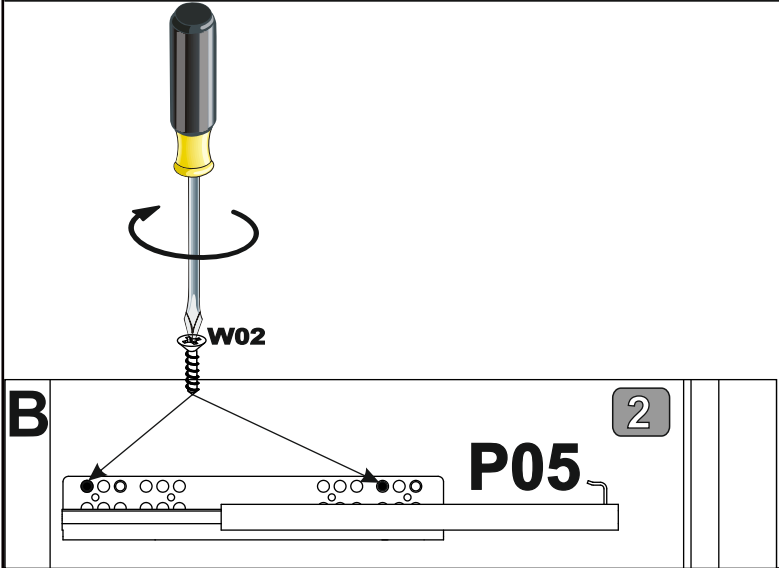
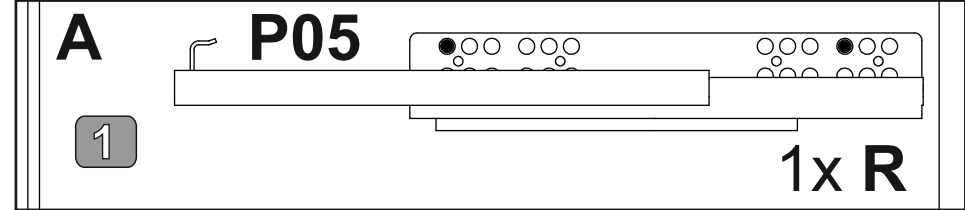
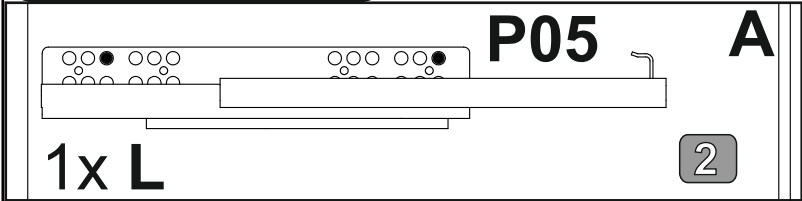
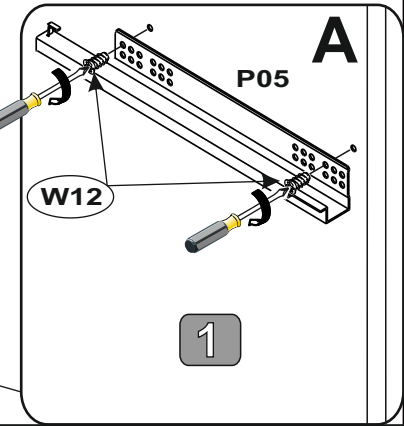
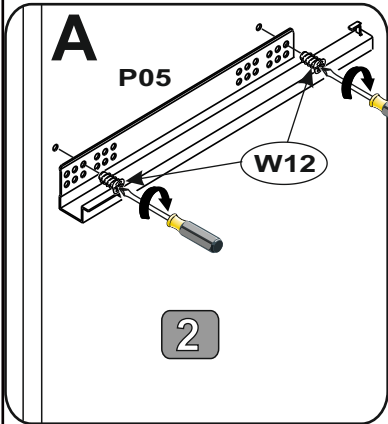
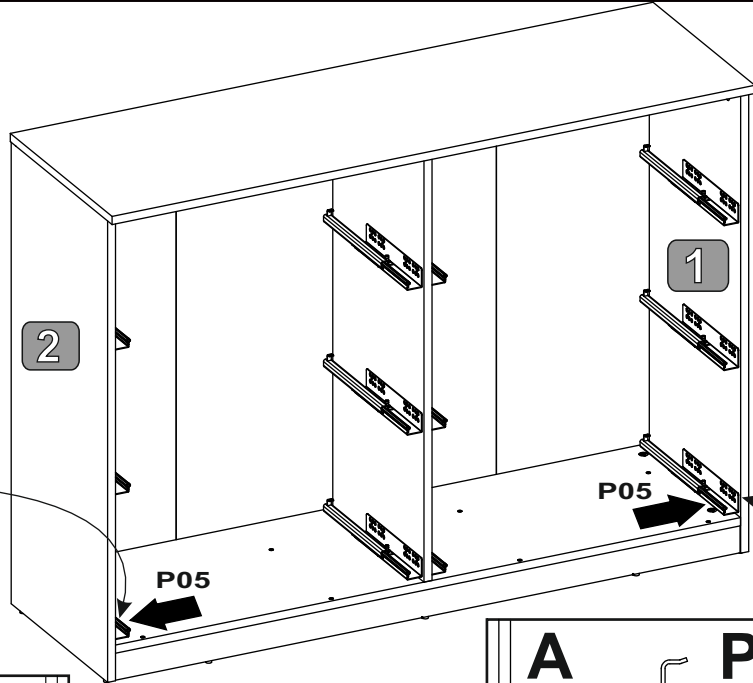
18

 2x F01	 2x F11	 2x F13	 4x13 4x W07
---	---	---	---



19

- 1 XL+R P05
- 4x W12
- 6x11
- 4x W02
- 3,5x13



20

