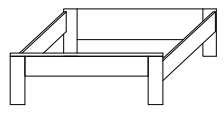
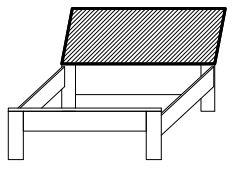
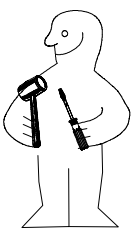


980458

1.



2.



4 X 27mm 122620	SP27 SP30	6x
--------------------	--------------	----

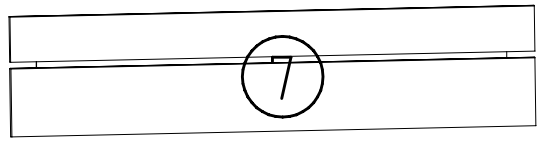
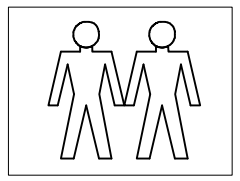
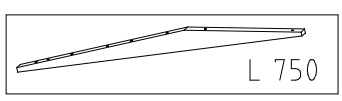
3,5 x 35 mm 121 375	G14	8x
------------------------	-----	----

111 012	DS φ15 x 10	8x
---------	----------------	----

TR

2x LED 177

?



1884 / 1674 / 1484 x 420 x 18

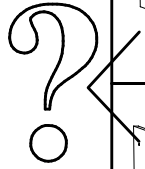
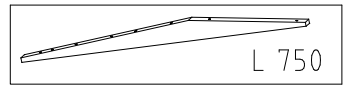
1

15mm	4 X 27mm 122620	SP27
18mm	4 X 30mm 121128	SP30

L 750

SP27/30

SP27/30



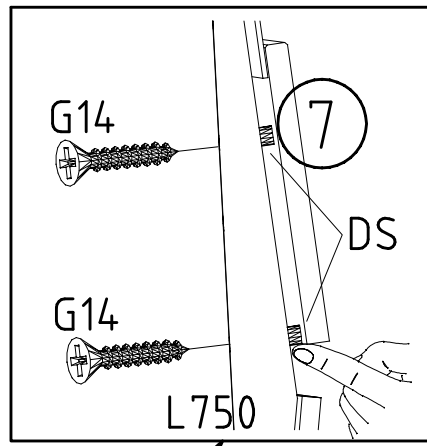
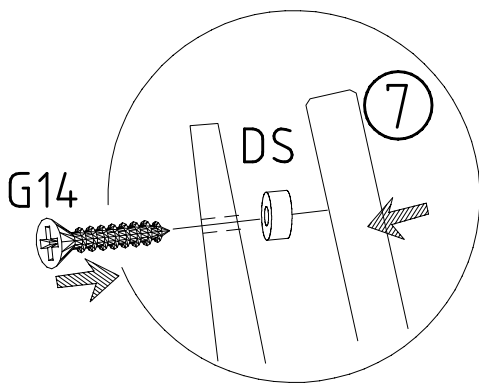
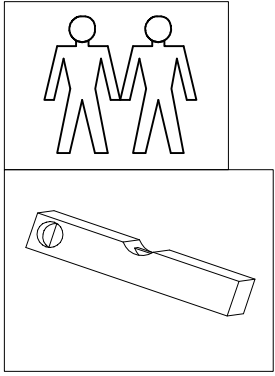
L 750

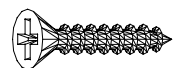
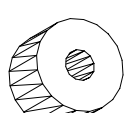
L 750

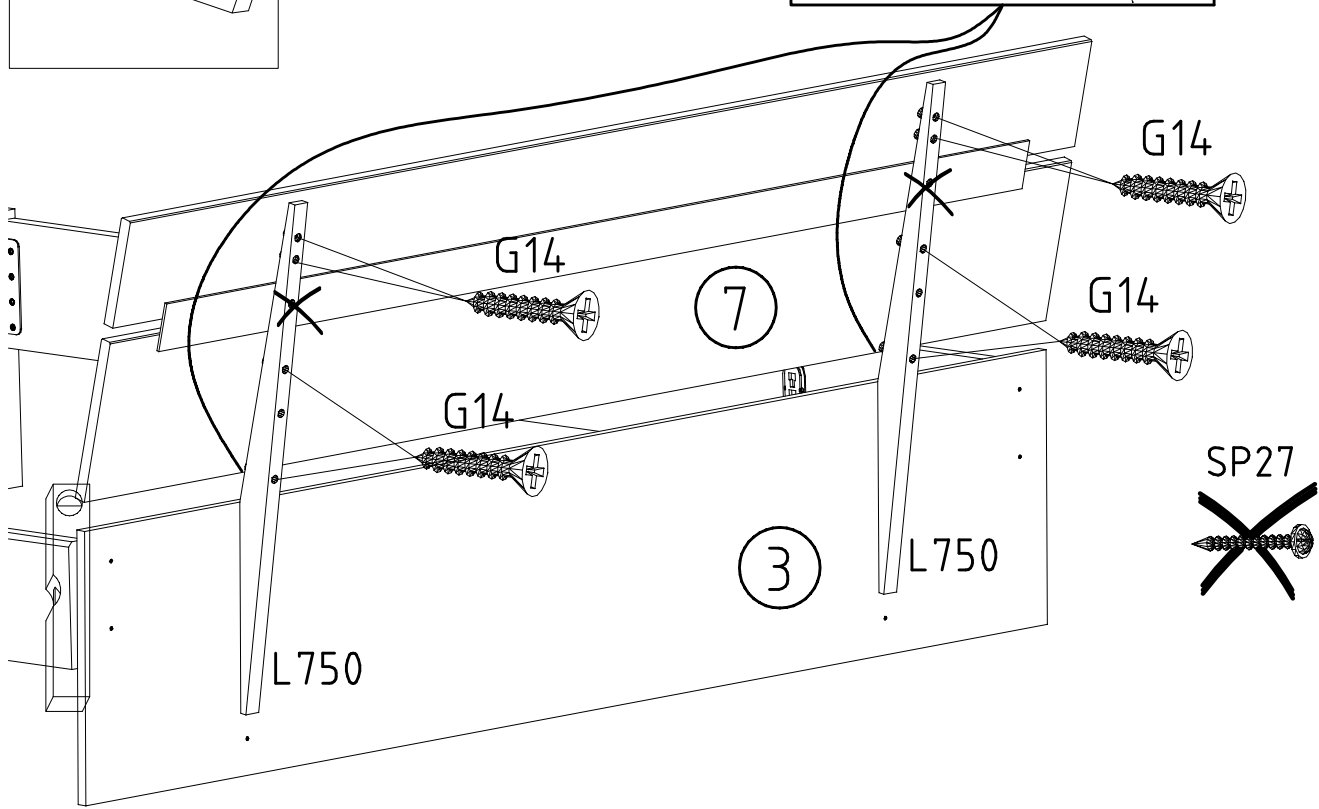
SP27/30

SP27/30

2



3,5 x 35 mm **G14**  
  
 121 375  
**DS**  
  
 111 012     $\phi 15 \times 10$



3

