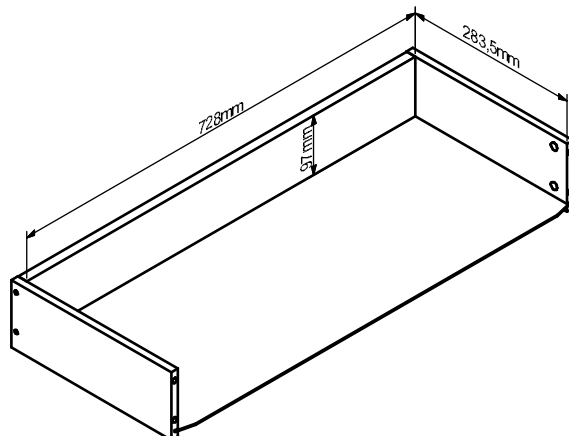
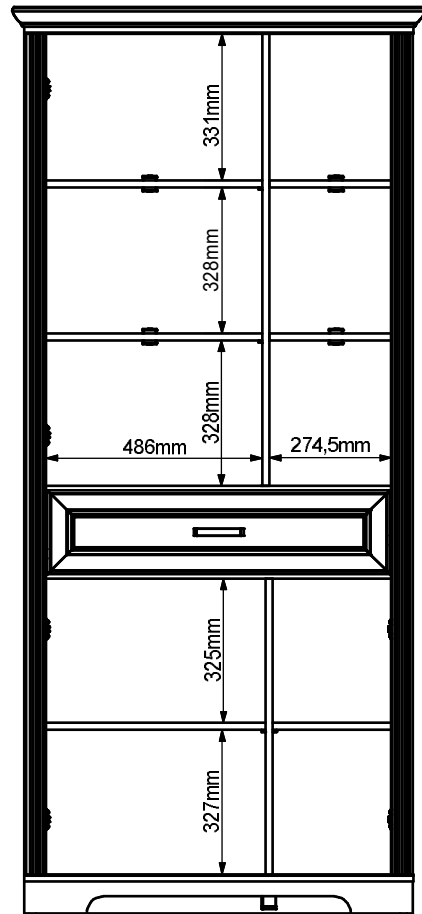
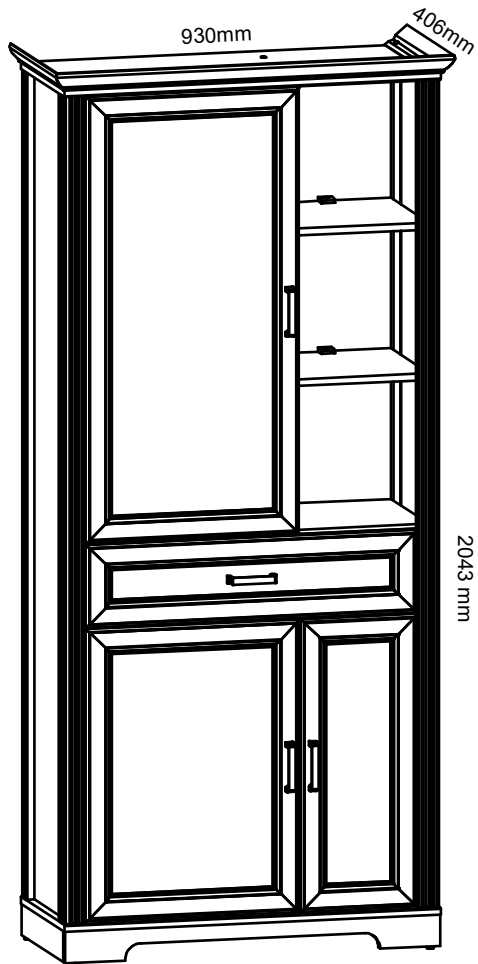
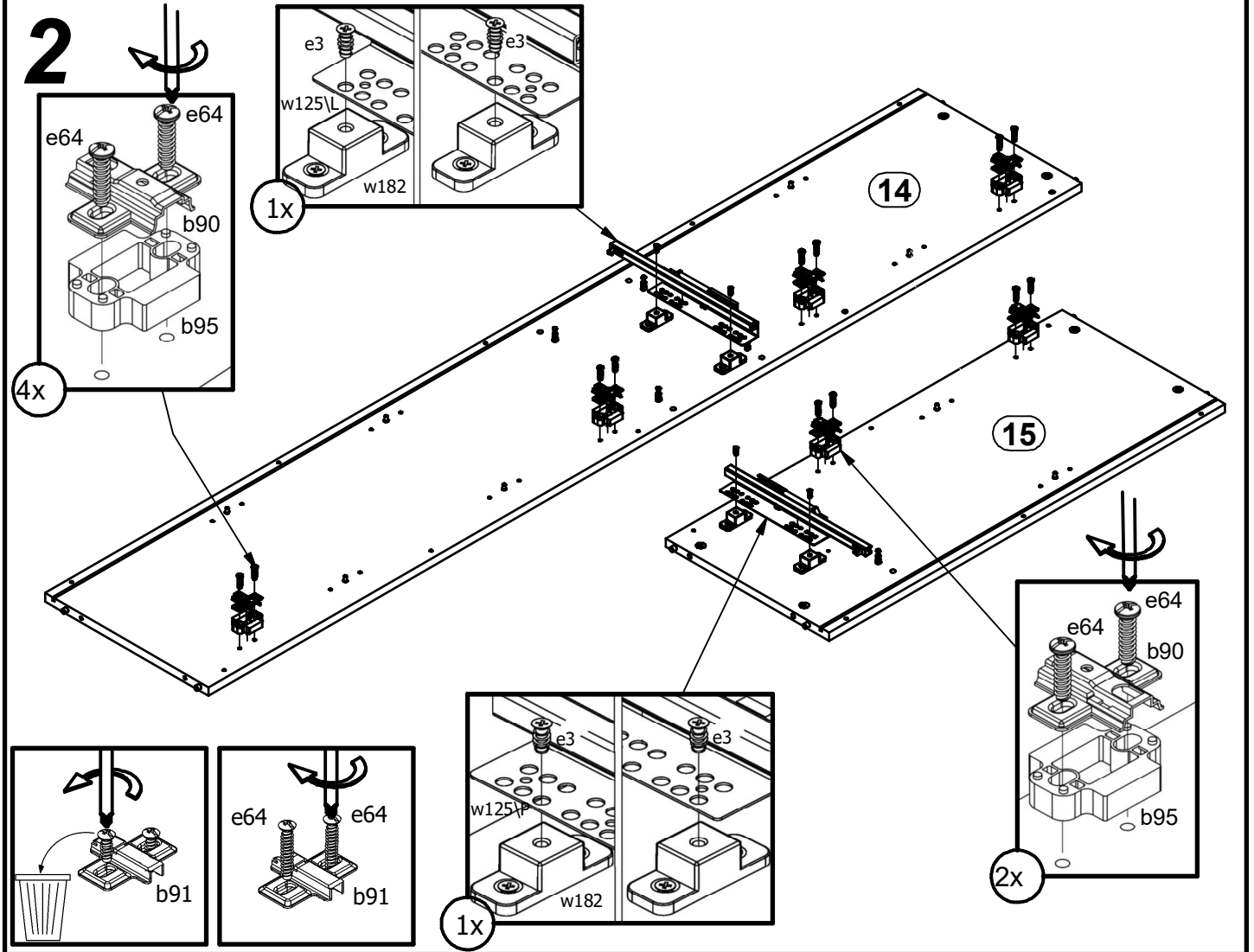
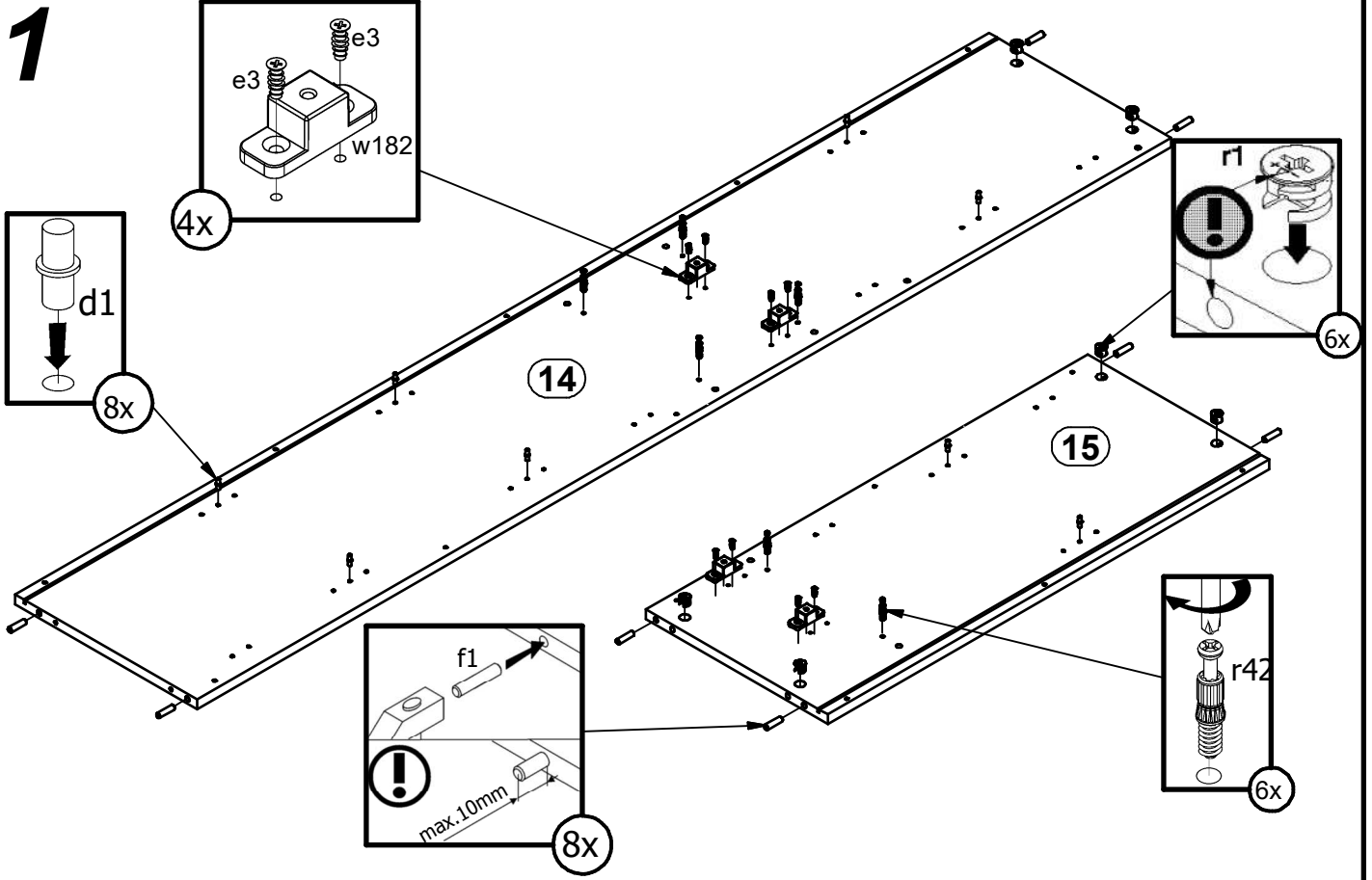


A	B	C1	C2	C3	D
1	M261-0001	668	270	22	3/3
2	M261-0002	668	496	22	3/3
3	M261-0003	770	188	22	3/3
4	M261-4101	840	72	16	1/3
5	M261-4102	363	72	16	1/3
6	M261-4103	363	72	16	1/3
7	M261-4151	874	72	16	1/3
8	M261-5005	1890	43	19	1/3
9	M261-5006	1890	49	49	2/3
10	M261-5806	406	67	22	3/3
11	M261-5807	406	67	22	3/3
12	S529-0001	1020	496	22	3/3
13	S529-1008	665	333	16	1/3
14	S529-1010	1890	353	16	2/3
15	S529-1011	857	353	16	2/3
16	S529-1012	1017	353	16	2/3
17	S529-2006	876	380	16	1/3
18	S529-2007	876	380	16	1/3
19	S529-3005	507	318	16	3/3
20	S529-3007	281	318	16	2/3
21	S529-3008	500	318	16	3/3
22	S529-3010	820	353	16	1/3
23	S529-3011	804	333	16	1/3
24	S529-3012	304	333	16	2/3
25	S529-4502	1017	304	16	2/3
26	S529-5007	1890	43	19	2/3
27	S529-5008	1890	49	49	2/3
28	S529-5804	929	67	22	3/3
29	S529-9006	867	293	2,5	3/3
30	S529-9008	1026	510	2,5	3/3
31	S529-9009	867	521	2,5	3/3
32	WSP-9031	737	308	2,5	1/3
33	ZQ6-517	300	110	12	1/3
34	ZQ6-5172	728	97	15	1/3
35	ZQ6-518	300	110	12	1/3

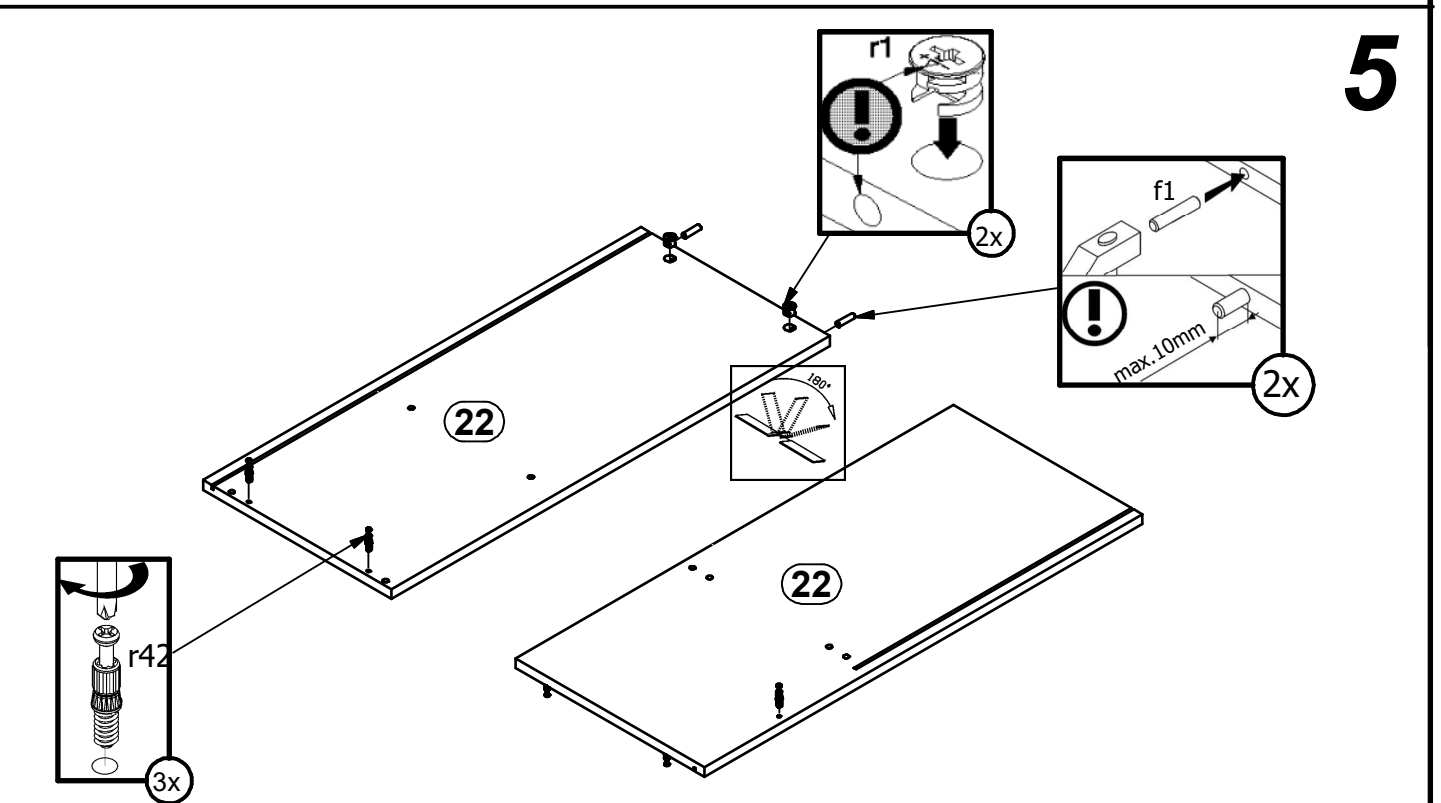
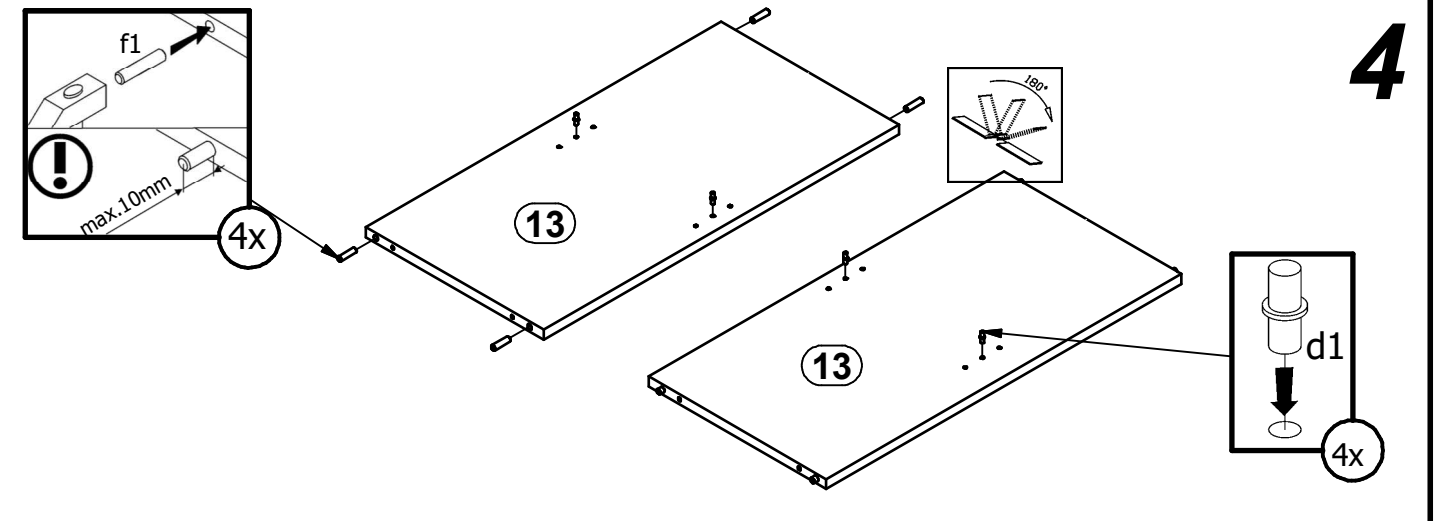
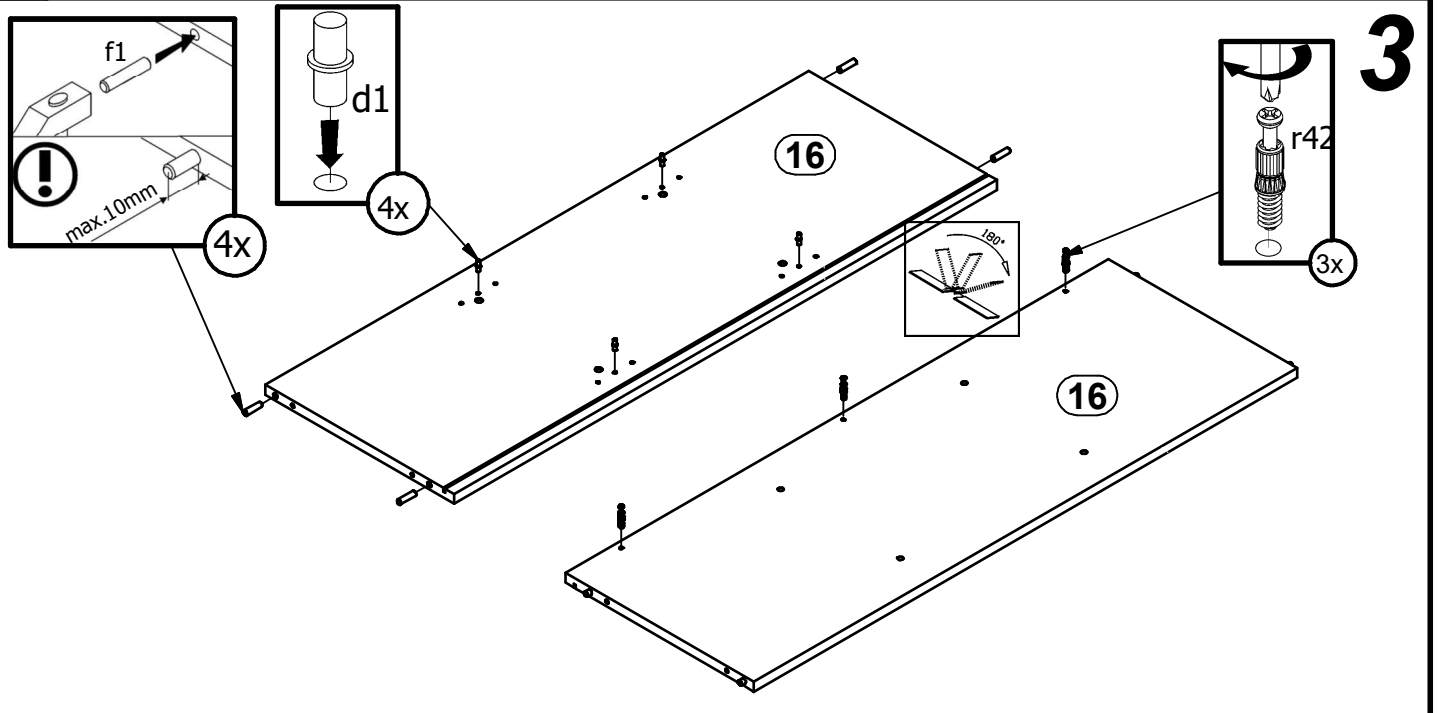
6x a203	6x b90	6x b95	4x c453	18x d1 Ø5x17 mm	1x d412	20x e1 Ø7x50 mm	1x e2 Ø6.3x13 mm	12x e3 Ø6x13 mm
12x e64 Ø6x26 mm	34x f1 Ø8x30 mm	4x f25 Ø6.5x40 mm	2x j3 M4x12 mm	6x j6 M4x30 mm	4x k1	1x k3813 42.5x42.5x4 mm	1x k3818 39x30x80 mm	14x l2
4x n108 20x13x3.5 mm	4x o751	1x o752 5W	1x o803	7x p20 Ø3.5x20 mm	16x p21 Ø4x30 mm	1x p25 Ø3.5x16 mm	1x p35 Ø3.5x10 mm	8x p38 Ø3.5x16 mm
12x p51 Ø3.5x15 mm	12x p55 Ø2.9x16 mm	31x r1 Ø15x12 mm #16	4x r15 Ø12x10.5 mm #12	35x r42 20/11	7x s59 Ø12x0.5 mm	6x s68 Ø 20mm	1x t25 300 mm	1x w125L 300mm
1x w125P 300mm	4x w182	1x z1						





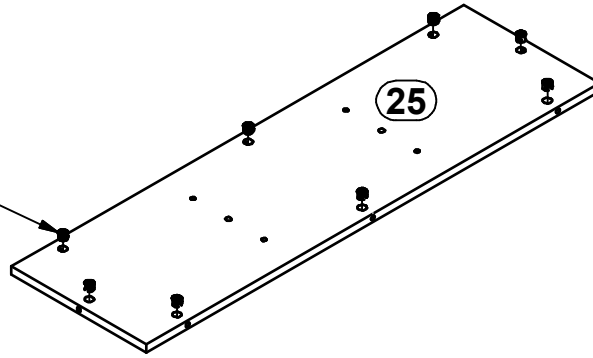
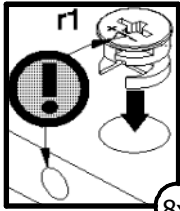
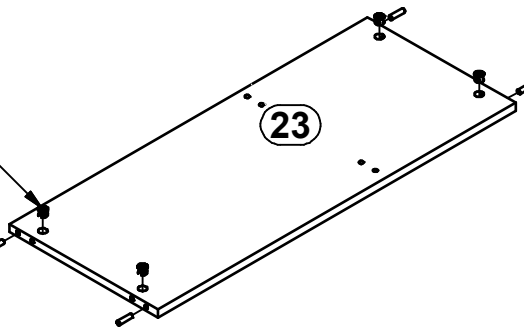
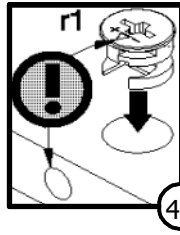
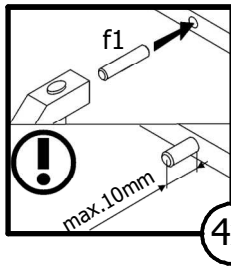
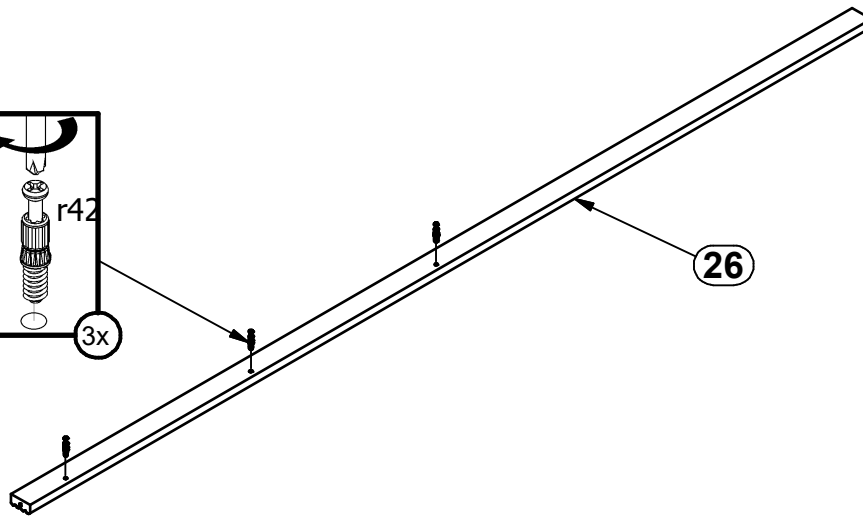
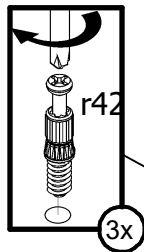
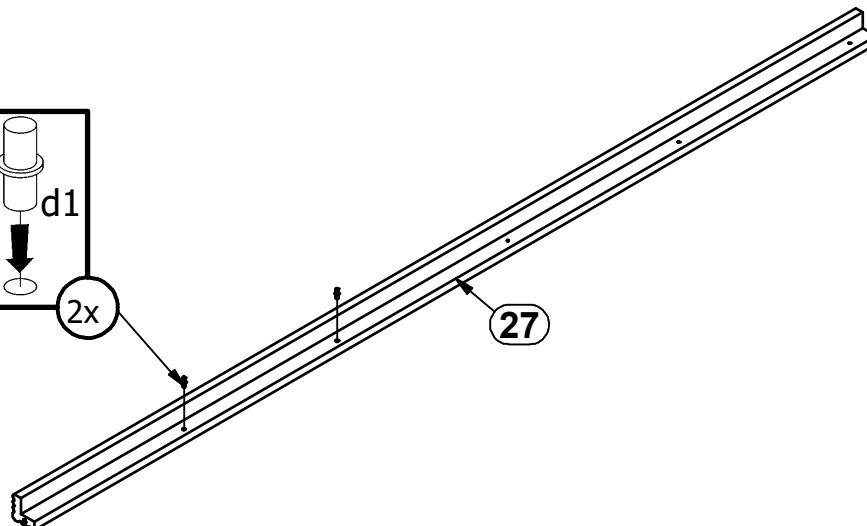
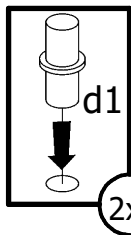
A**S529-REG1W2D1S****1BG9--01**

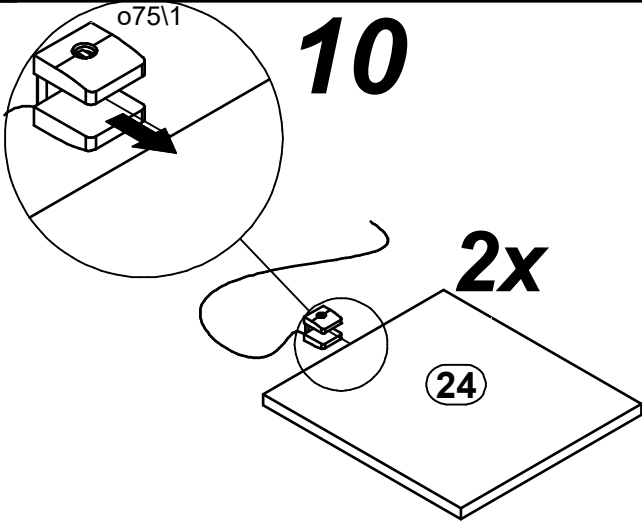
6 / 23



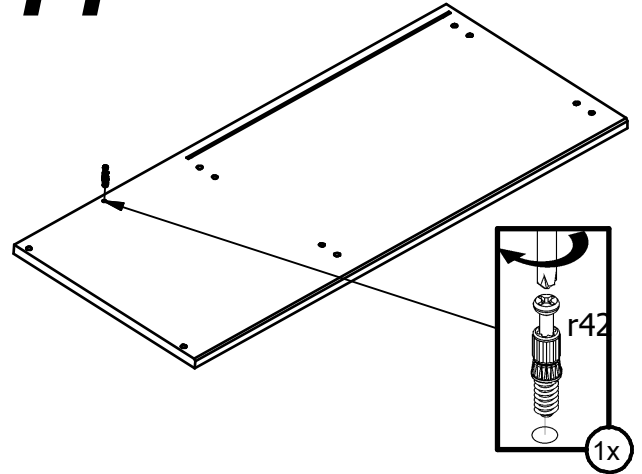
A**S529-REG1W2D1S****1BG9--01**

7 / 23

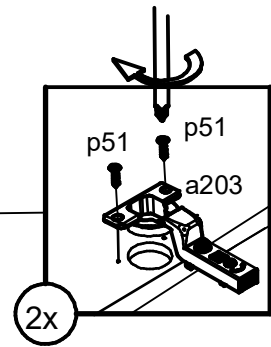
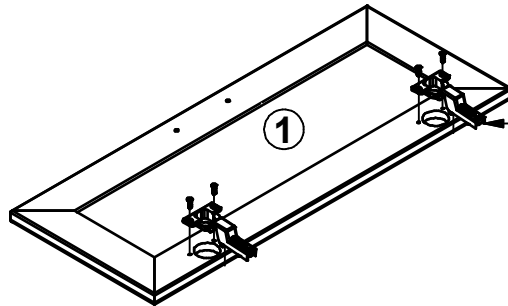
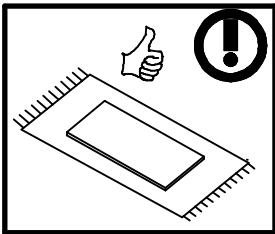
**6****7****8****9**



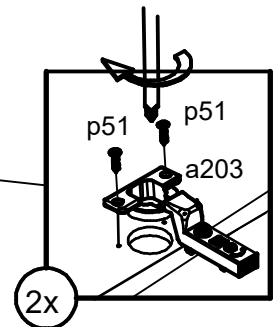
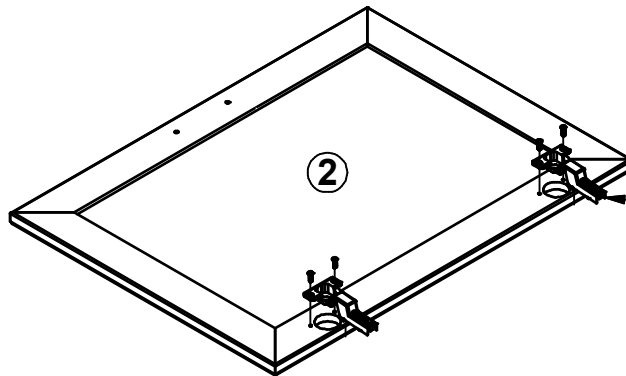
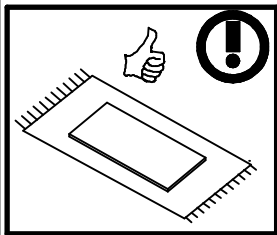
11



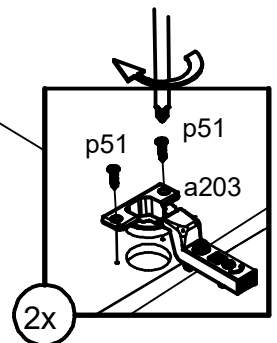
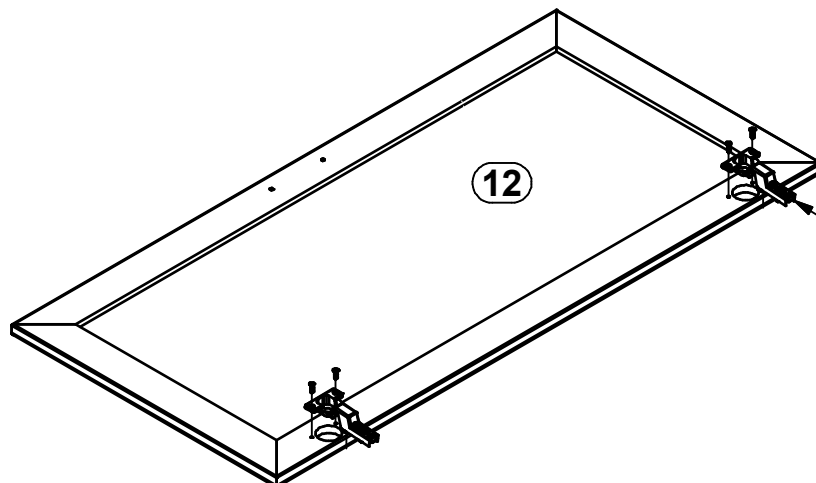
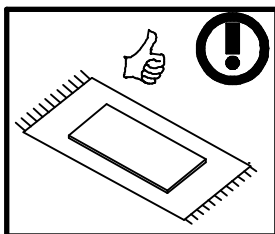
12



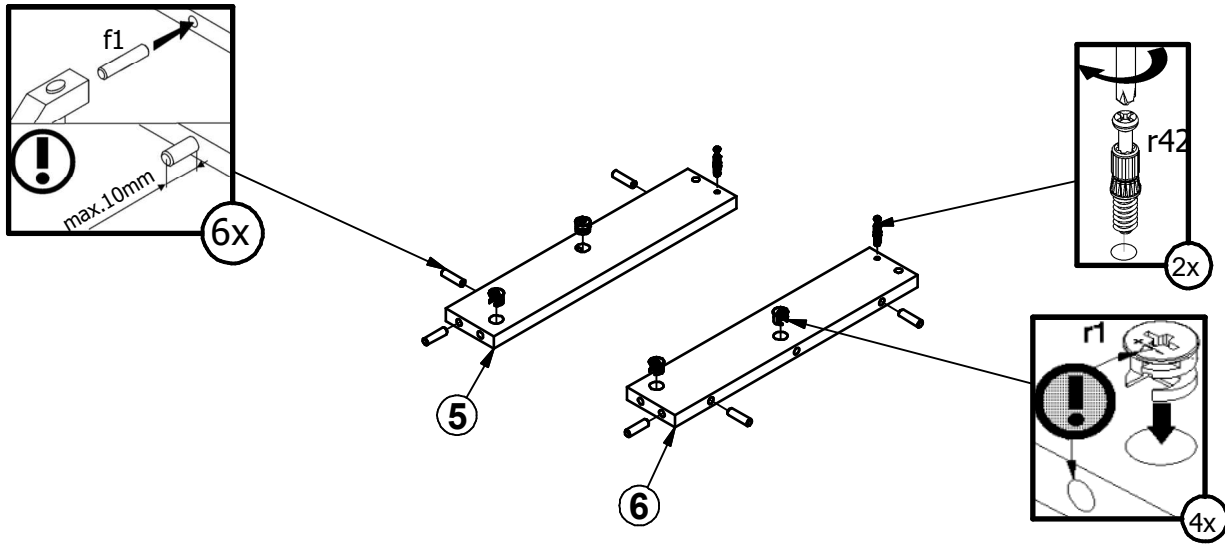
13



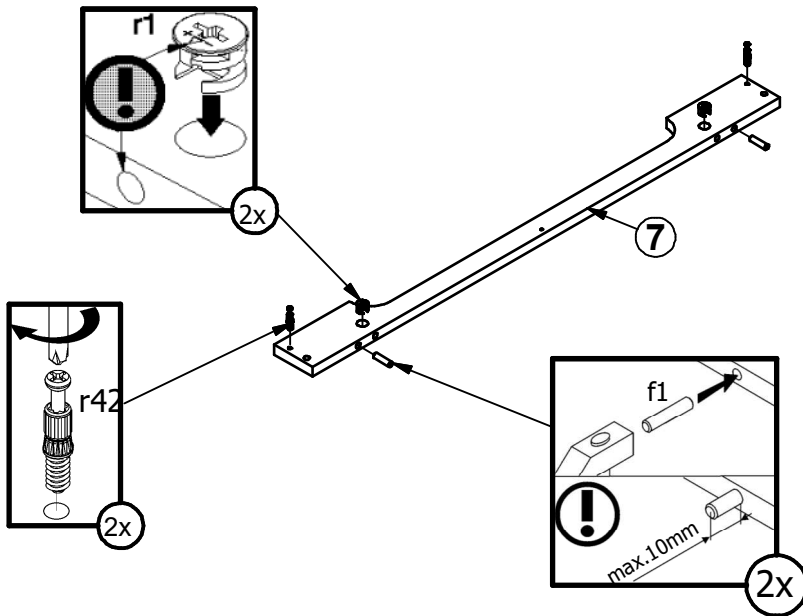
14



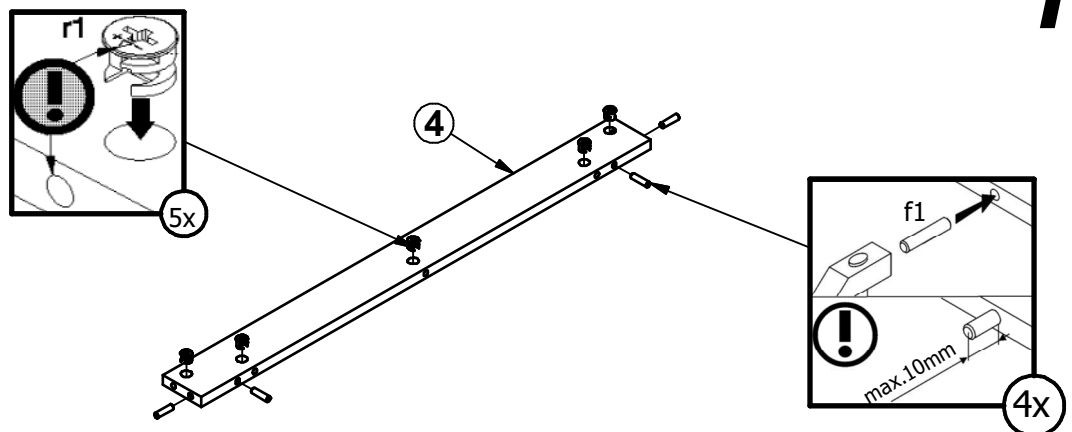
15



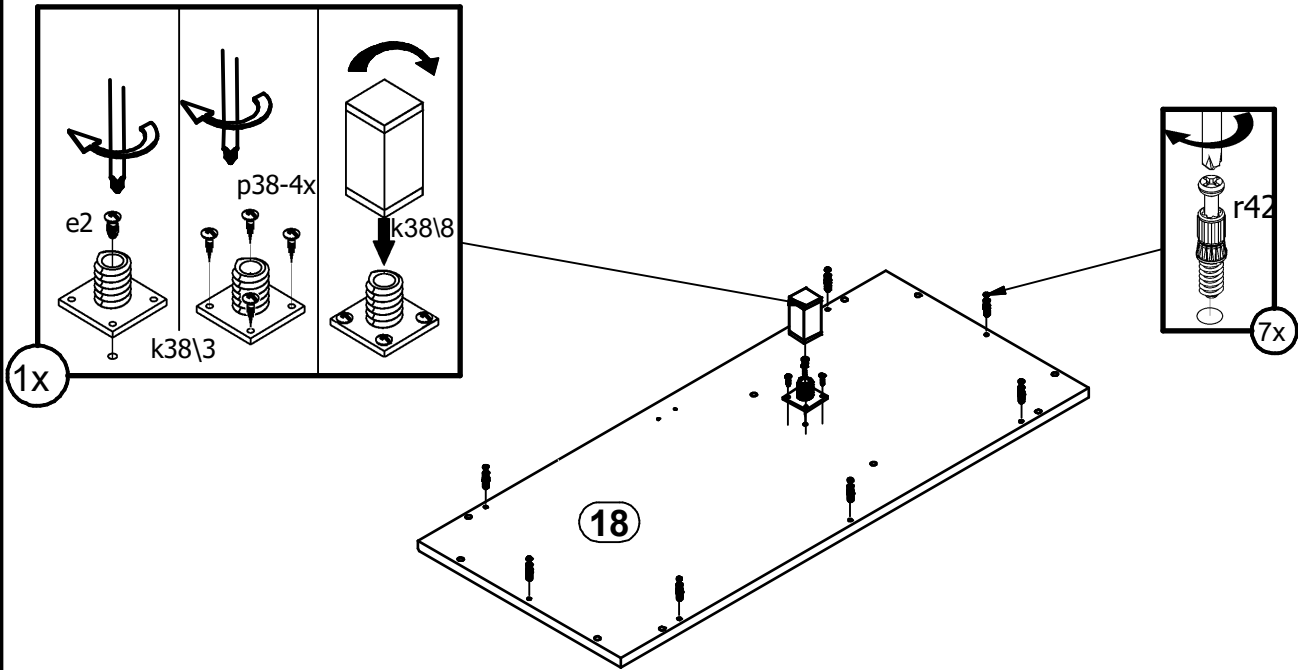
16



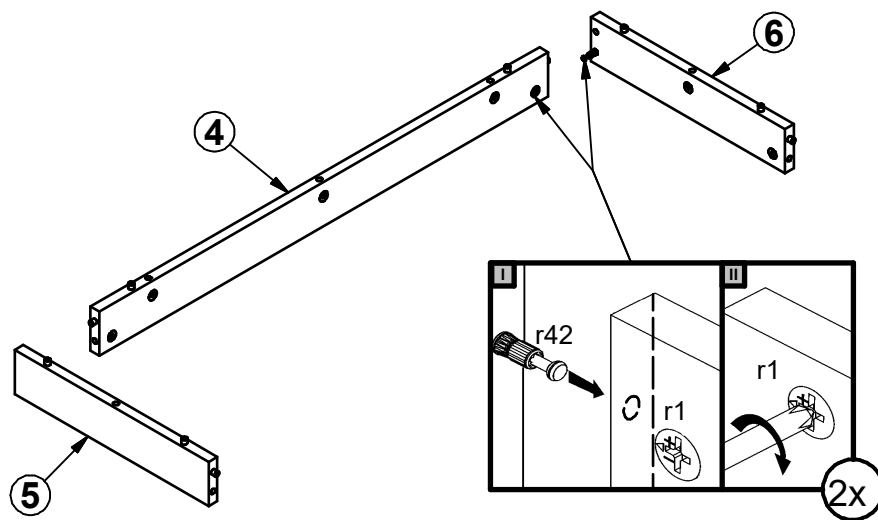
17



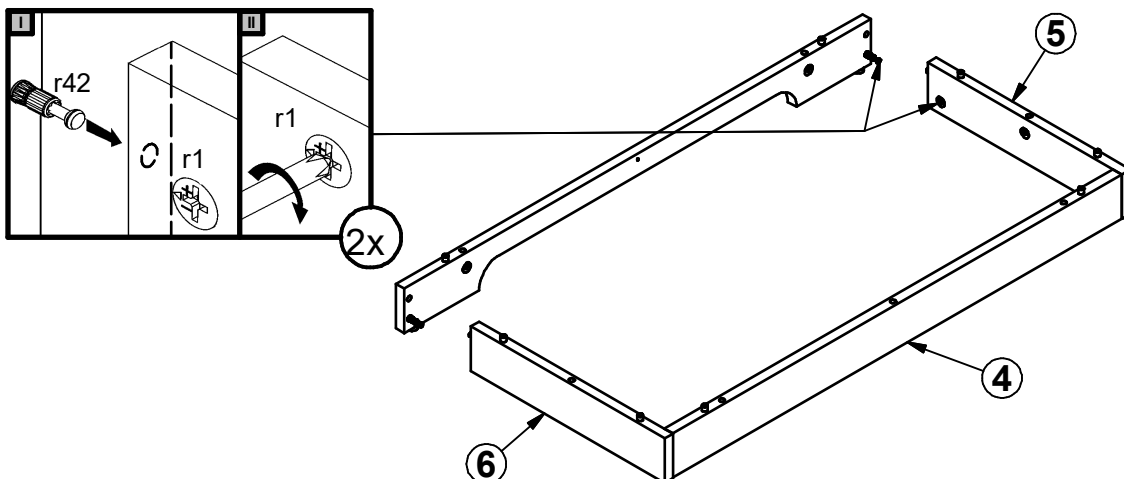
18



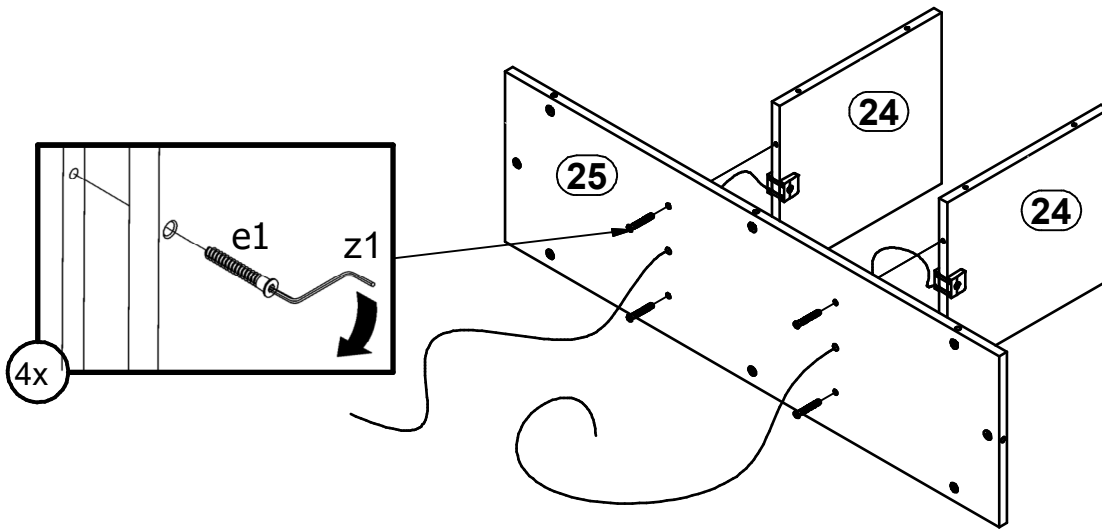
19



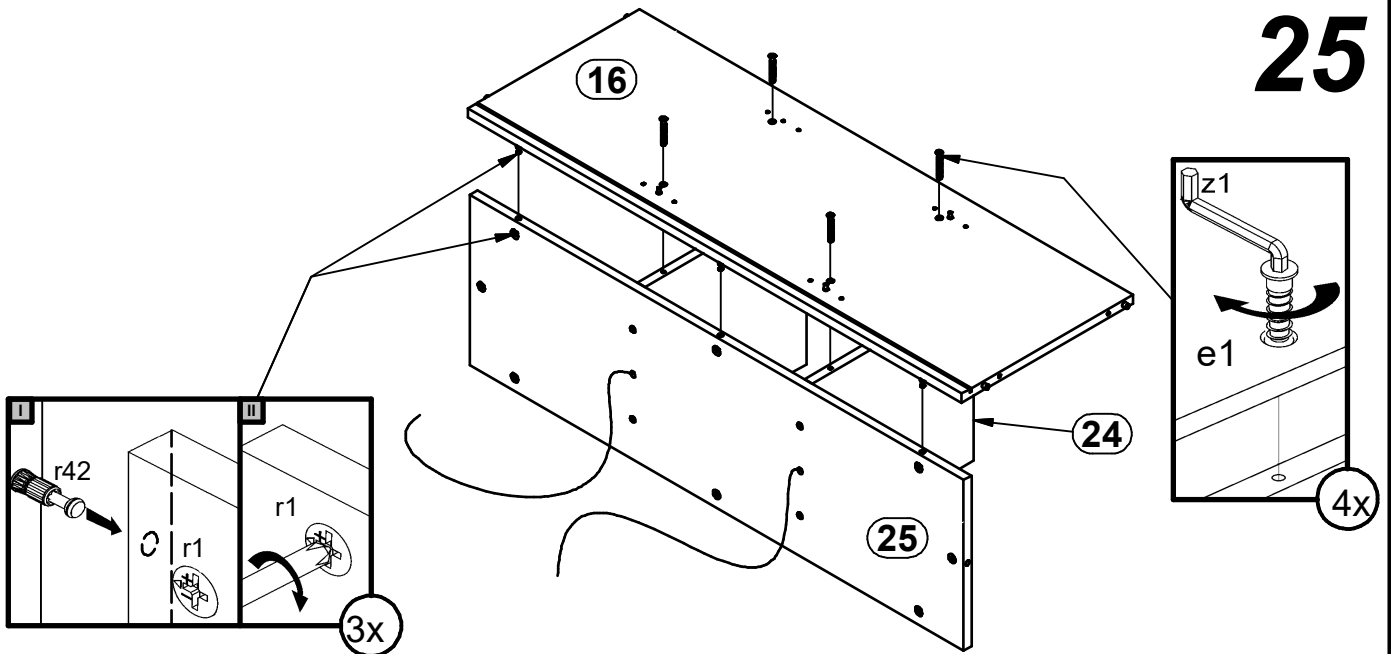
20



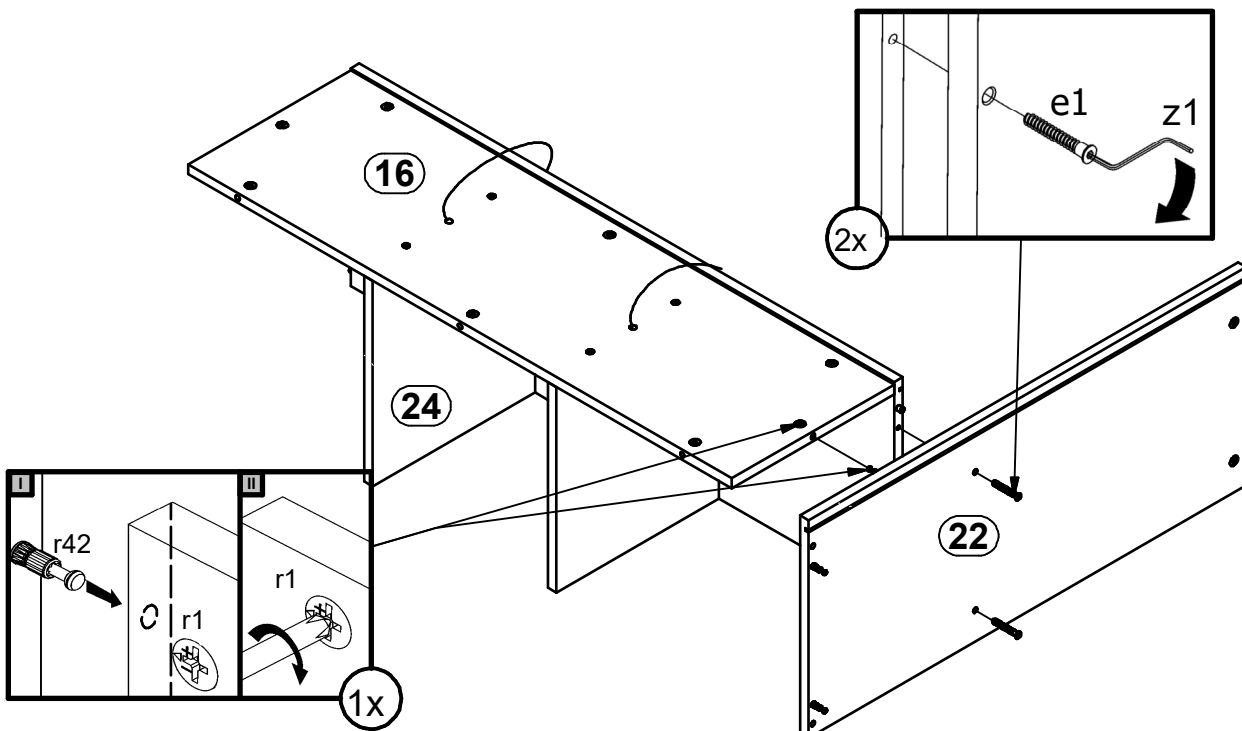
24



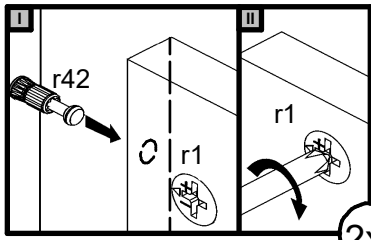
25



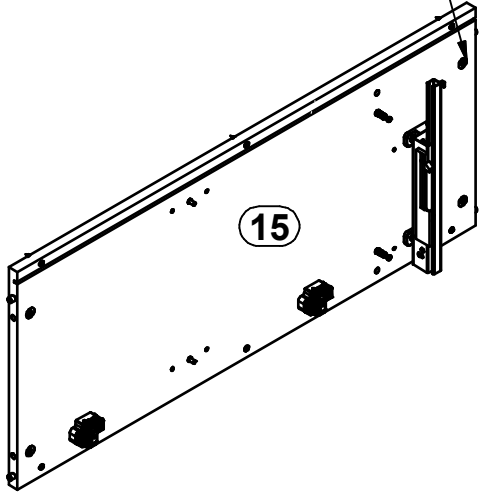
26



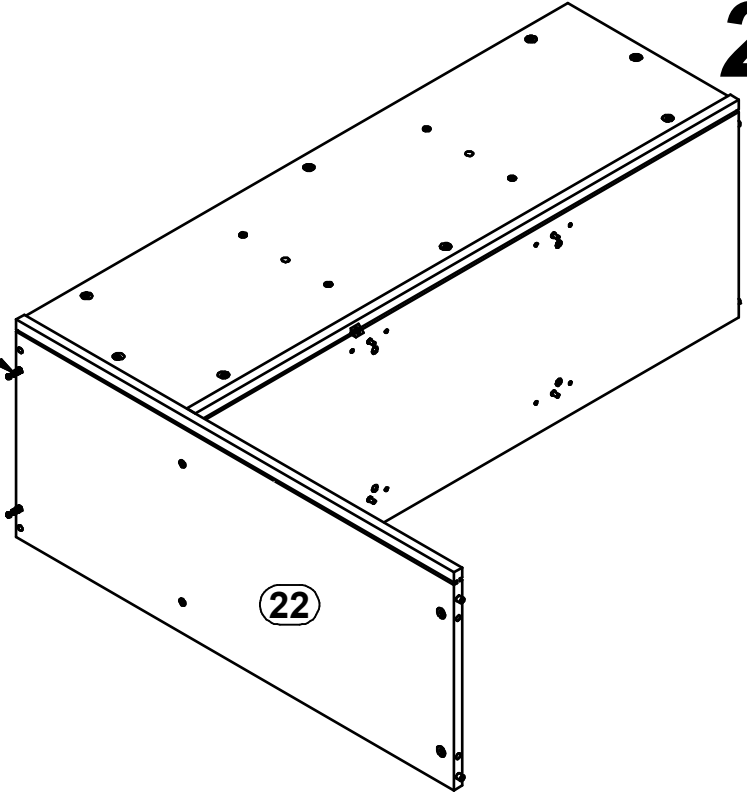
27



2x

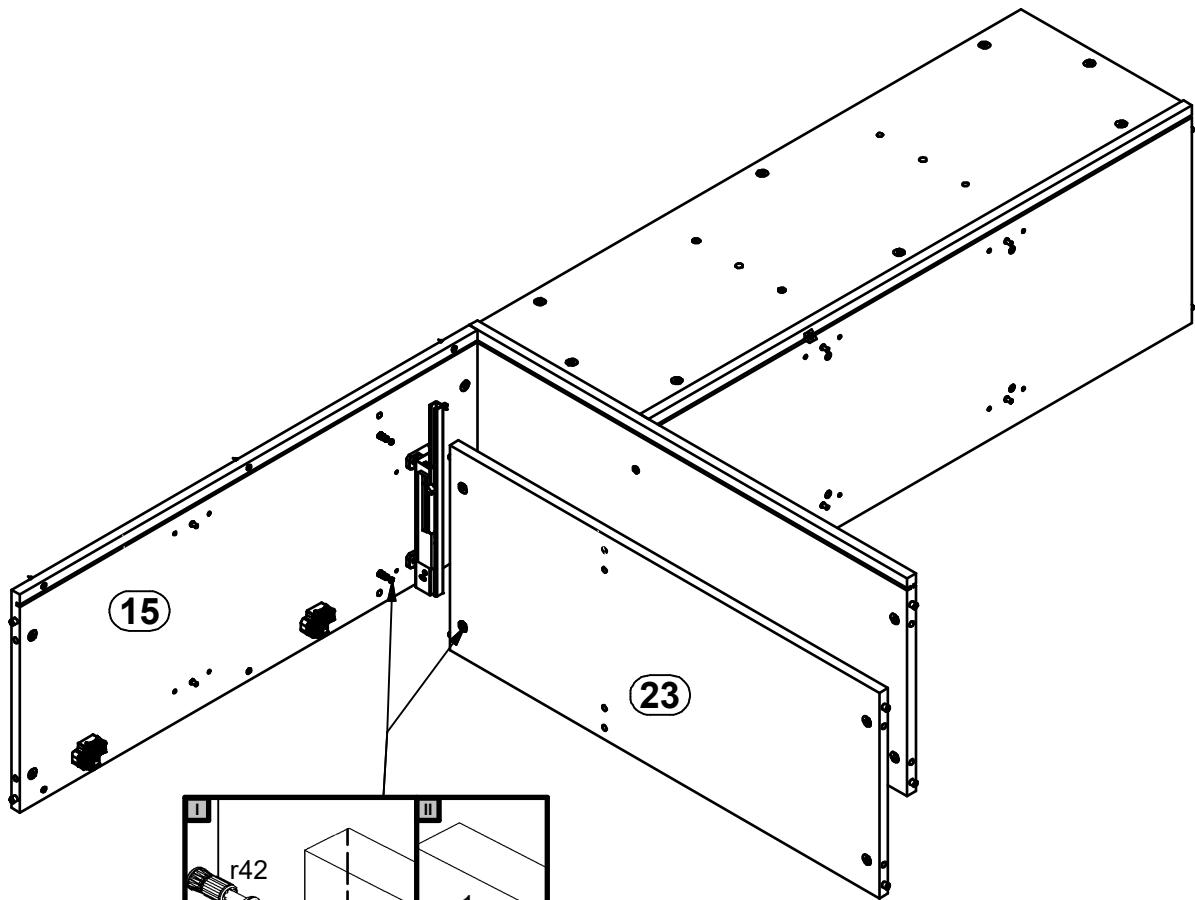


15



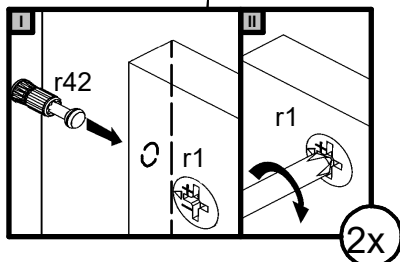
22

28

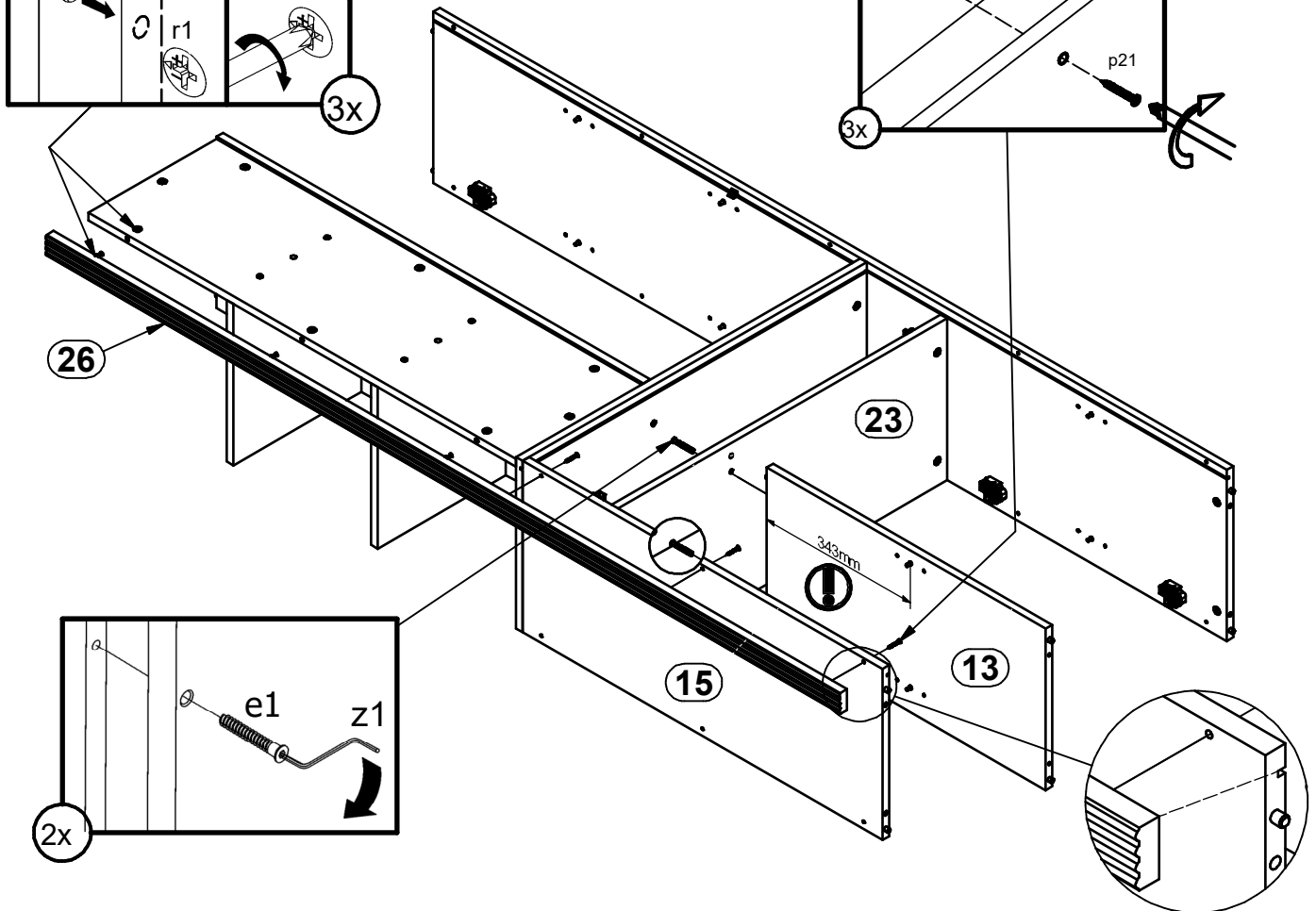
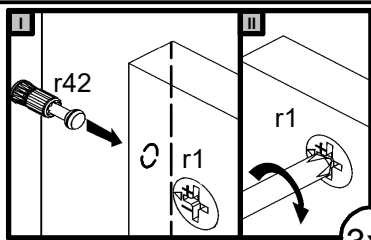
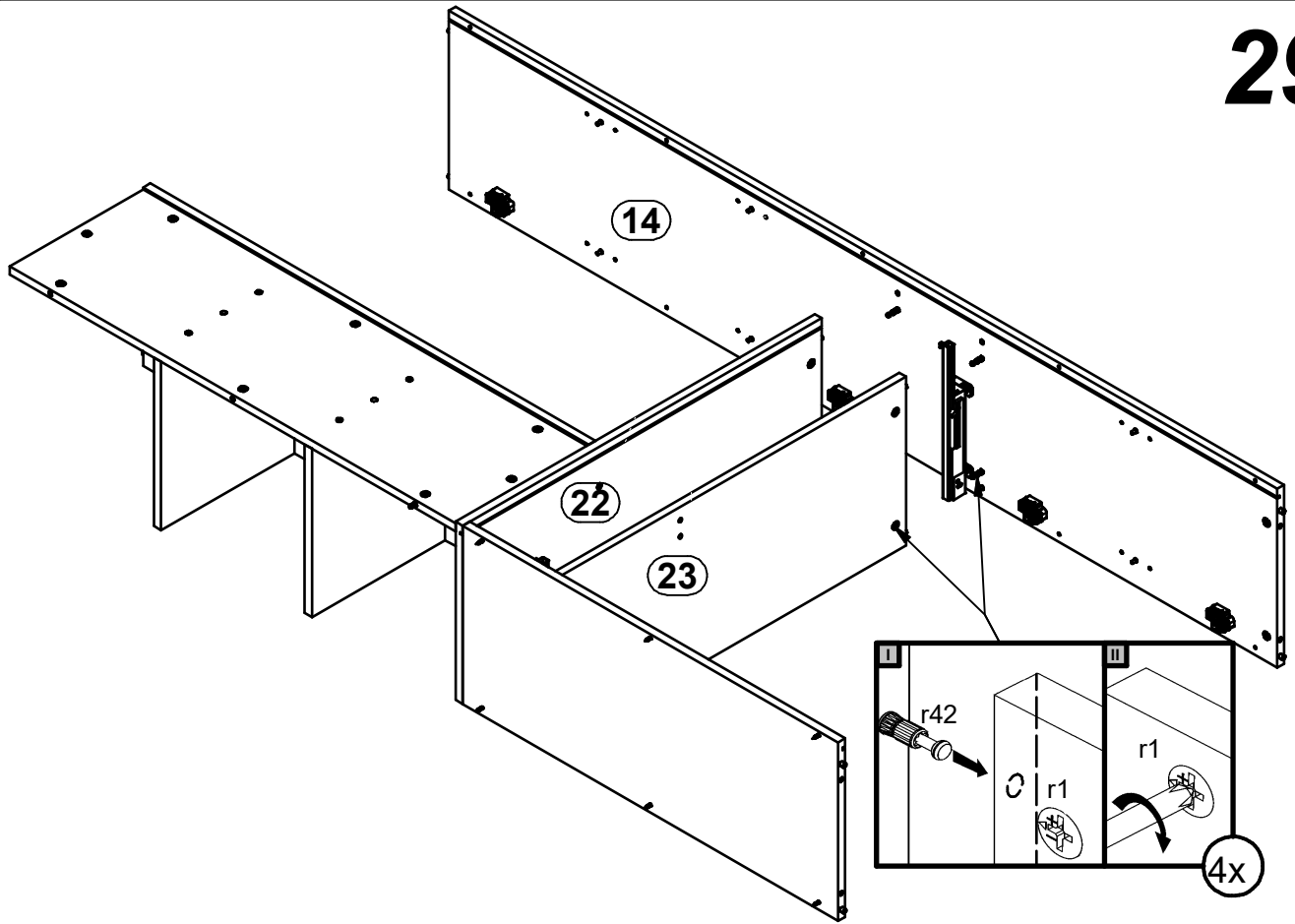


15

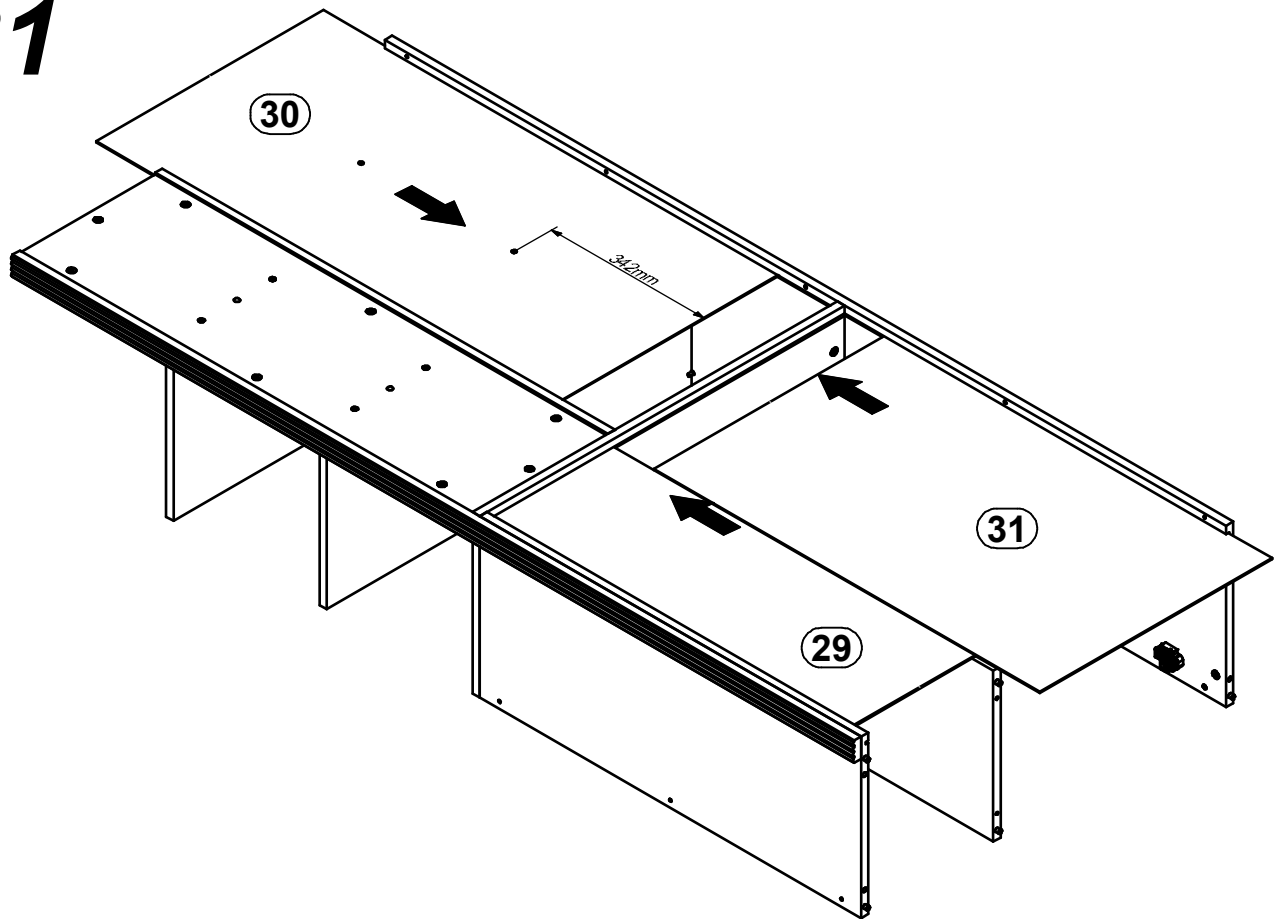
23



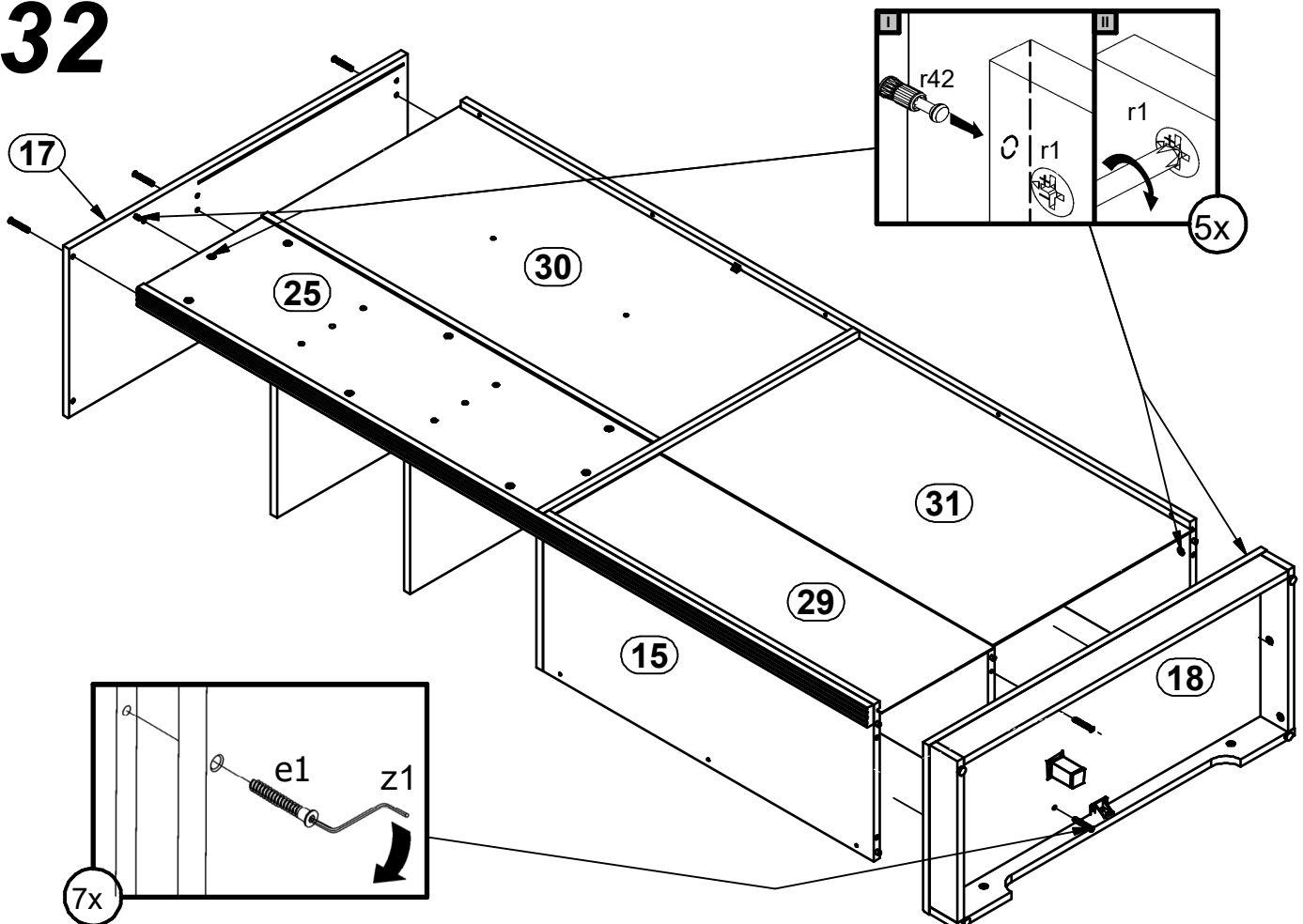
2x

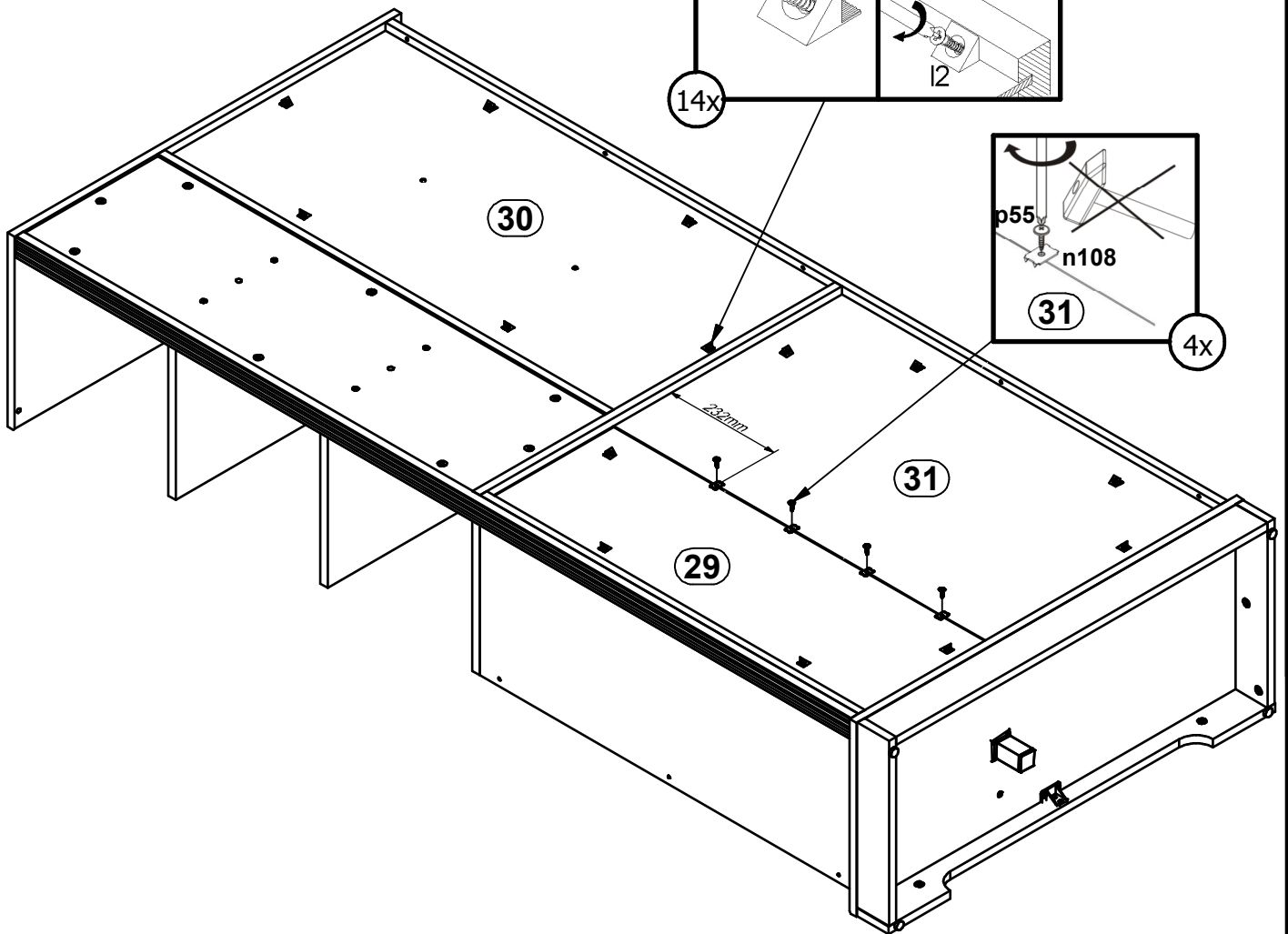
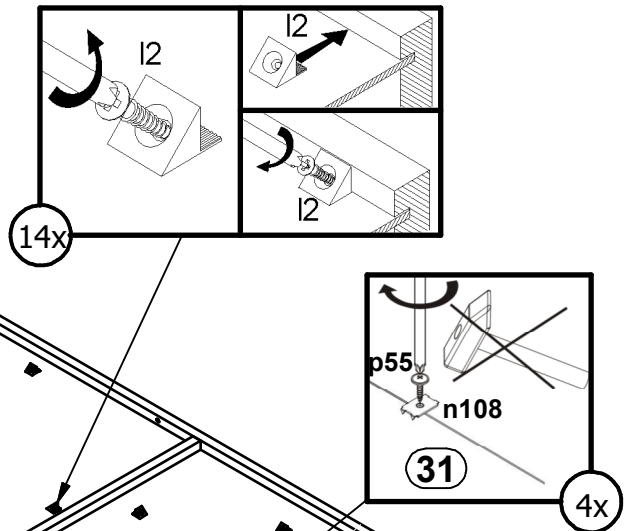
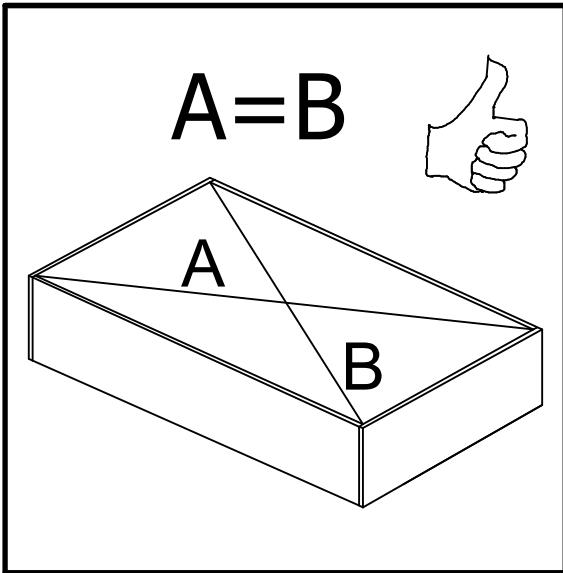


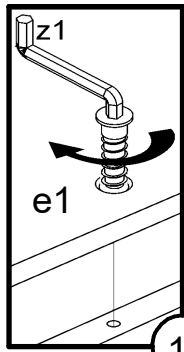
31



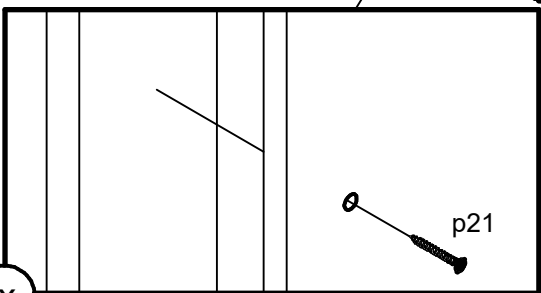
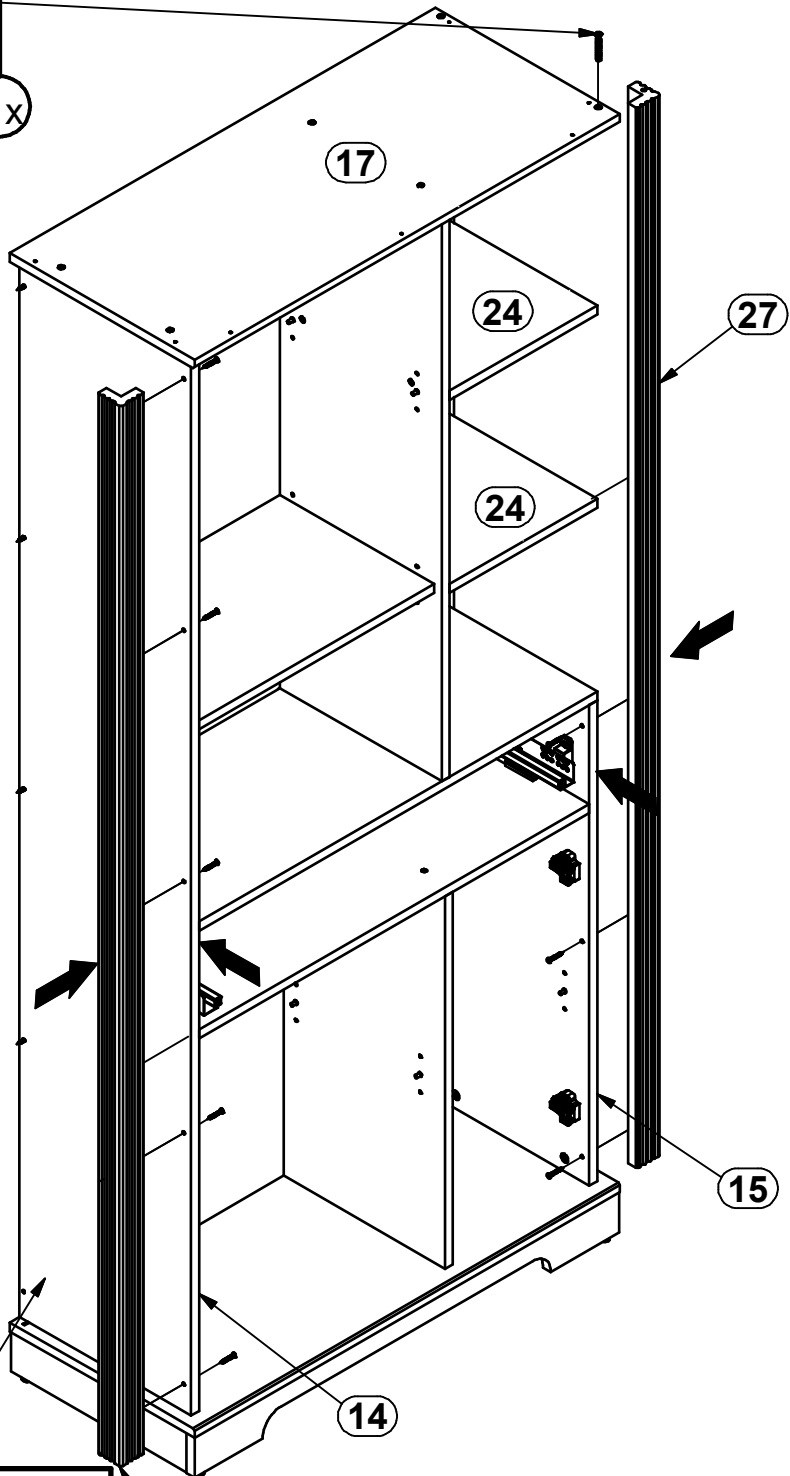
32







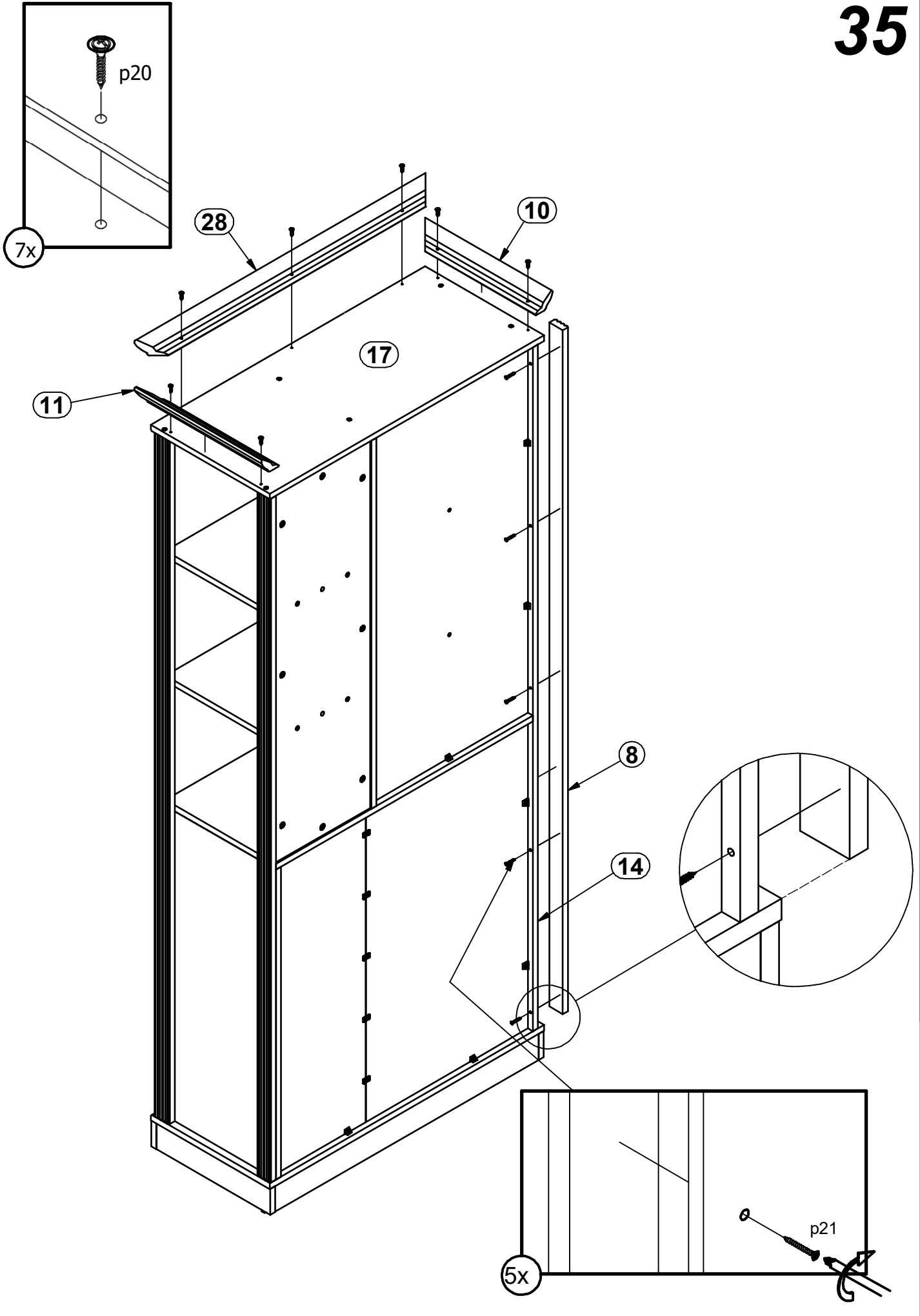
1x



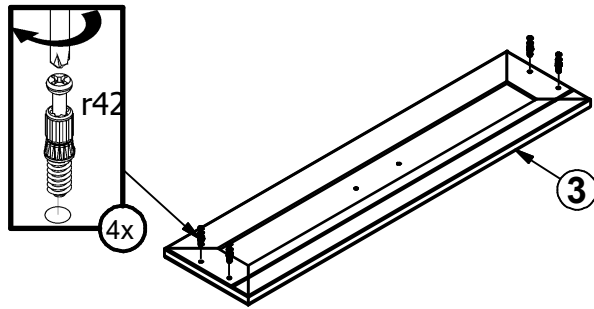
9

p21

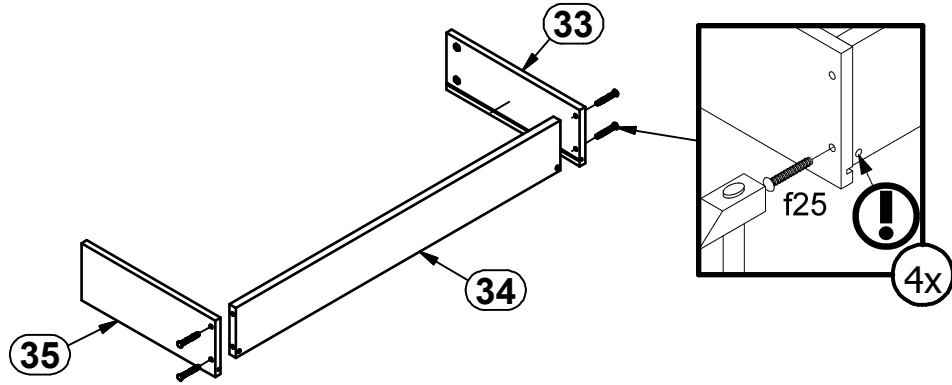
8x



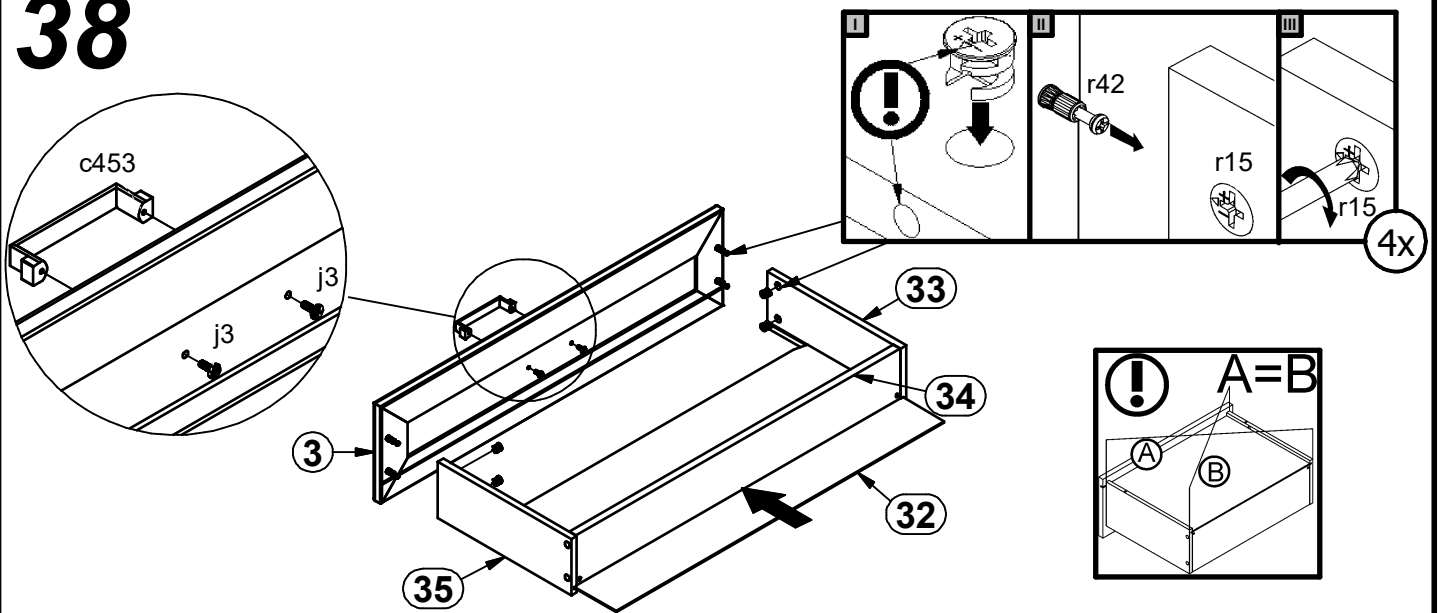
36



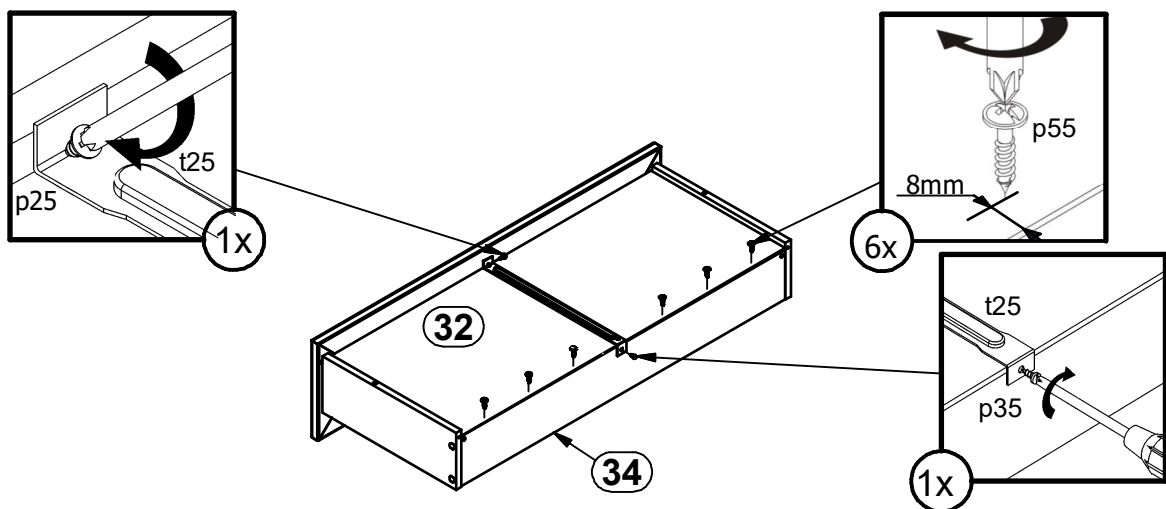
37



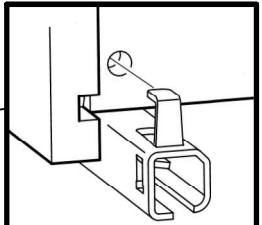
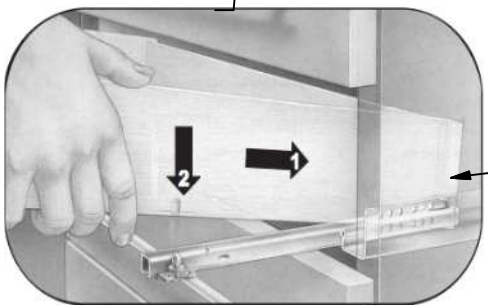
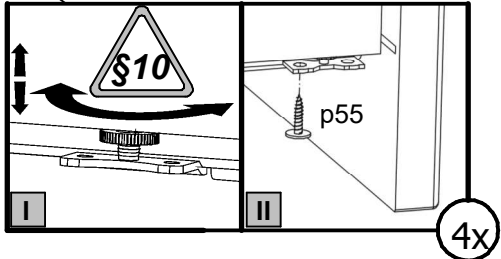
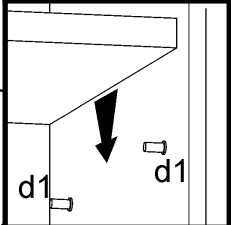
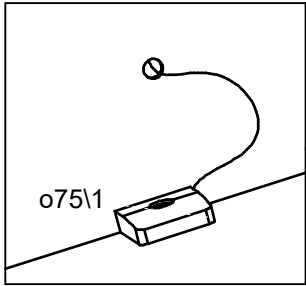
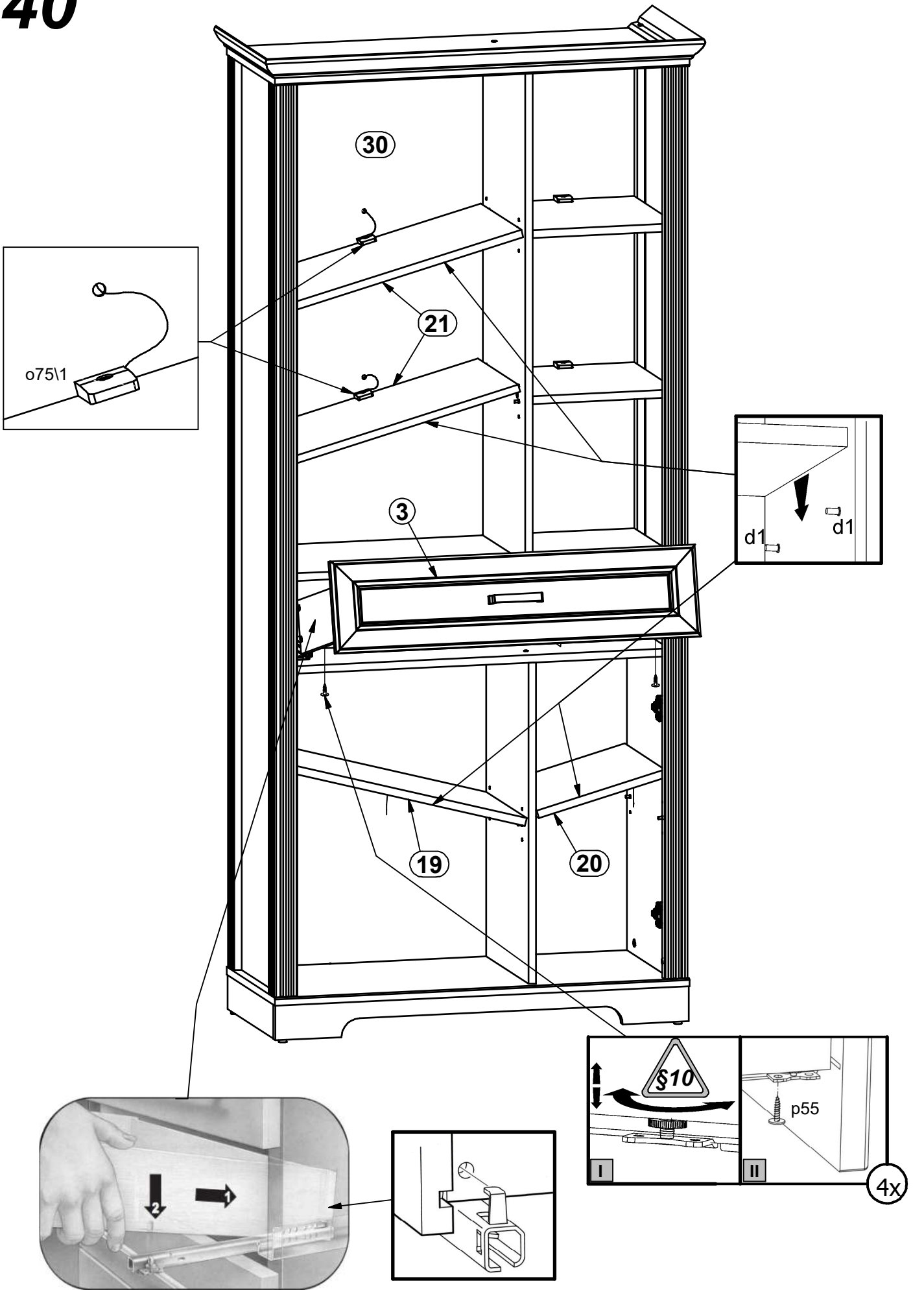
38



39



40



41

