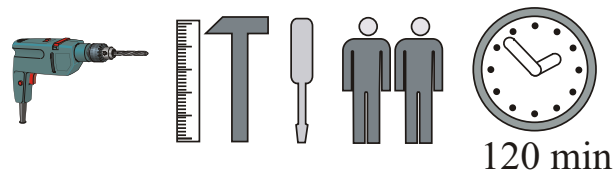
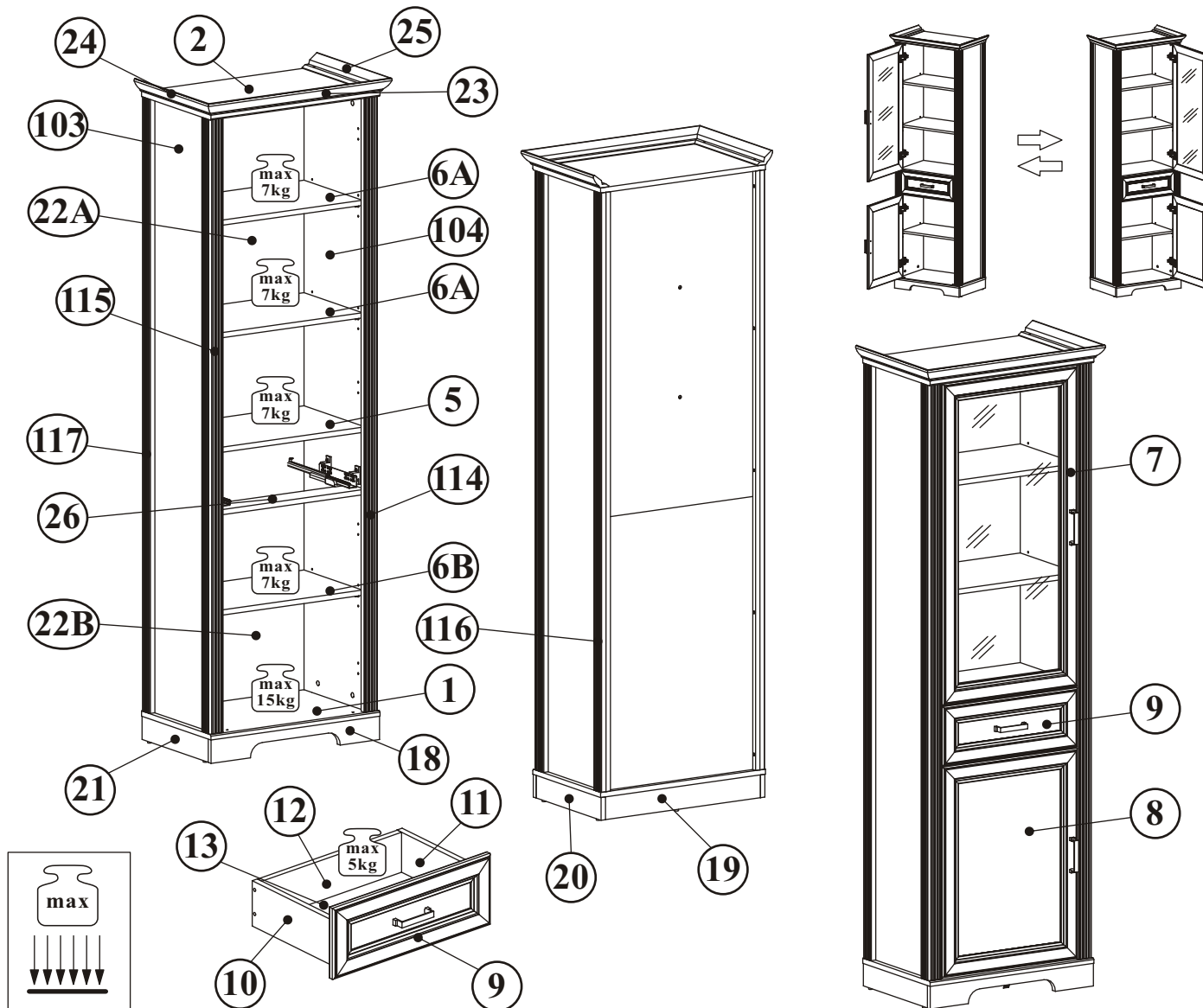


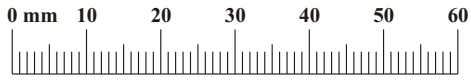
JASMIN 10G9_02


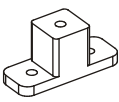
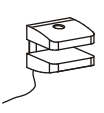


NO	Dim.		Col.-No	Qty
1	602	386	1	1
2	603	386	1	1
103	1890	359	2	1
104	1890	359	2	1
5	530	339	1	1
6A/6B	530	324	3	3
7	1020	496	1	2
8	668	496	1	1
9	496	188	1	1
10	300	120	1	1
11	300	120	1	1
12	440	106	1	1
13	304	452	1	1

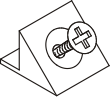

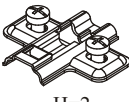

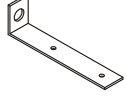
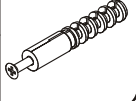
NO	Dim.		Col.-No	Qty
114	1890	49	2	1
115	1890	49	2	1
116	1890	43	2	1
117	1890	43	2	1
18	600	72	1	1
19	566	72	1	1
20	369	72	1	1
21	369	72	1	1
22A	1031	542	1	1
22B	871	542	1	1
23	654,7	67	2	1
24	412,4	67	2	1
25	412,4	67	2	1
26	530	80	1	1





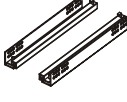
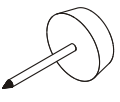
JASMIN 10G9_02




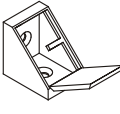
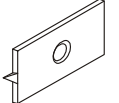



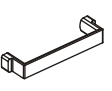
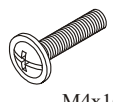



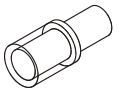
G12 x20	 Ø14	H1 x4		OS3 x2	
------------	--	----------	---	-----------	---

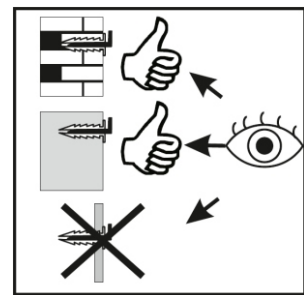
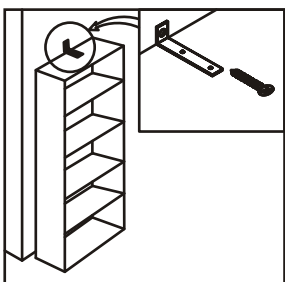
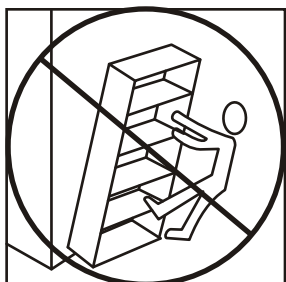
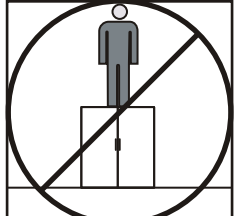
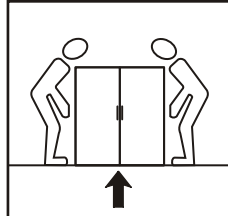
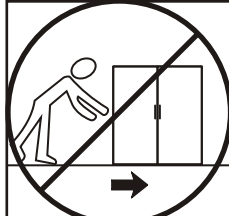
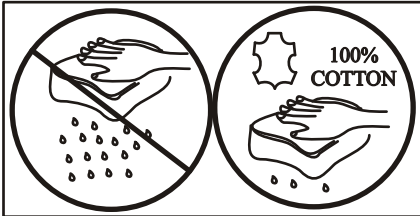
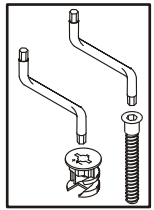
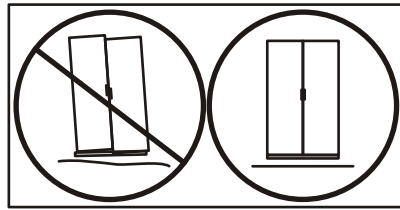
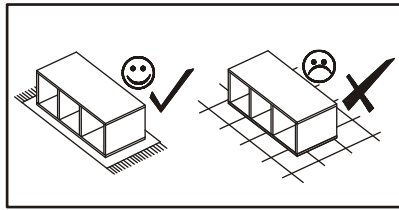
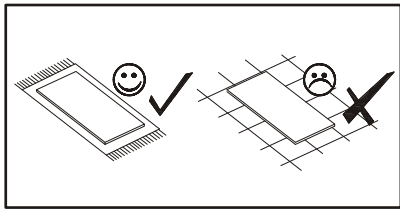
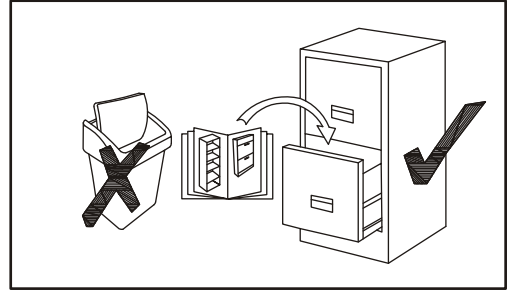
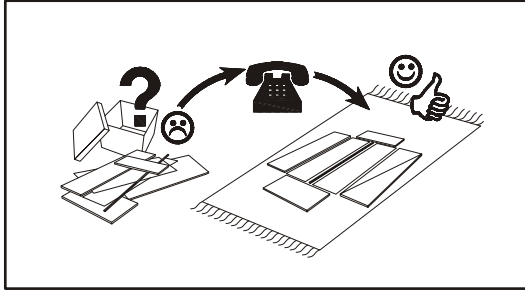
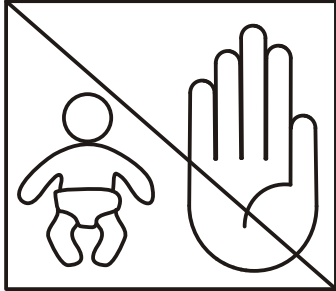
A1 x30	 Ø8x36	B4 x26		B5 x26	 Ø15x12	G5 x26		G7 x12		G2 x1	
-----------	--	-----------	---	-----------	---	-----------	---	-----------	---	----------	---

S1 x18		E17 x4	 H=16	E13 x4	 H=2	Z2 x10	 Ø5	L1 x1		KR1 x1	
-----------	---	-----------	---	-----------	--	-----------	--	----------	---	-----------	---

EK8 x8	 EKØ6,3x24	D10 x12	 USØ3,5x13	UP13 x8	 UPØ3x16	D20 x4	 ESØ6,3x9,5	QU x1	 L-300	I2 x5	
-----------	--	------------	--	------------	--	-----------	--	----------	--	----------	---

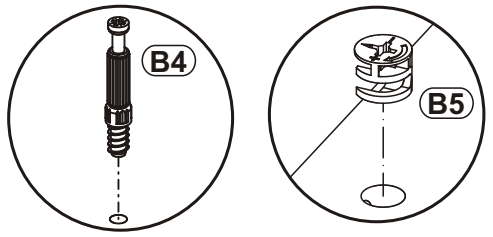
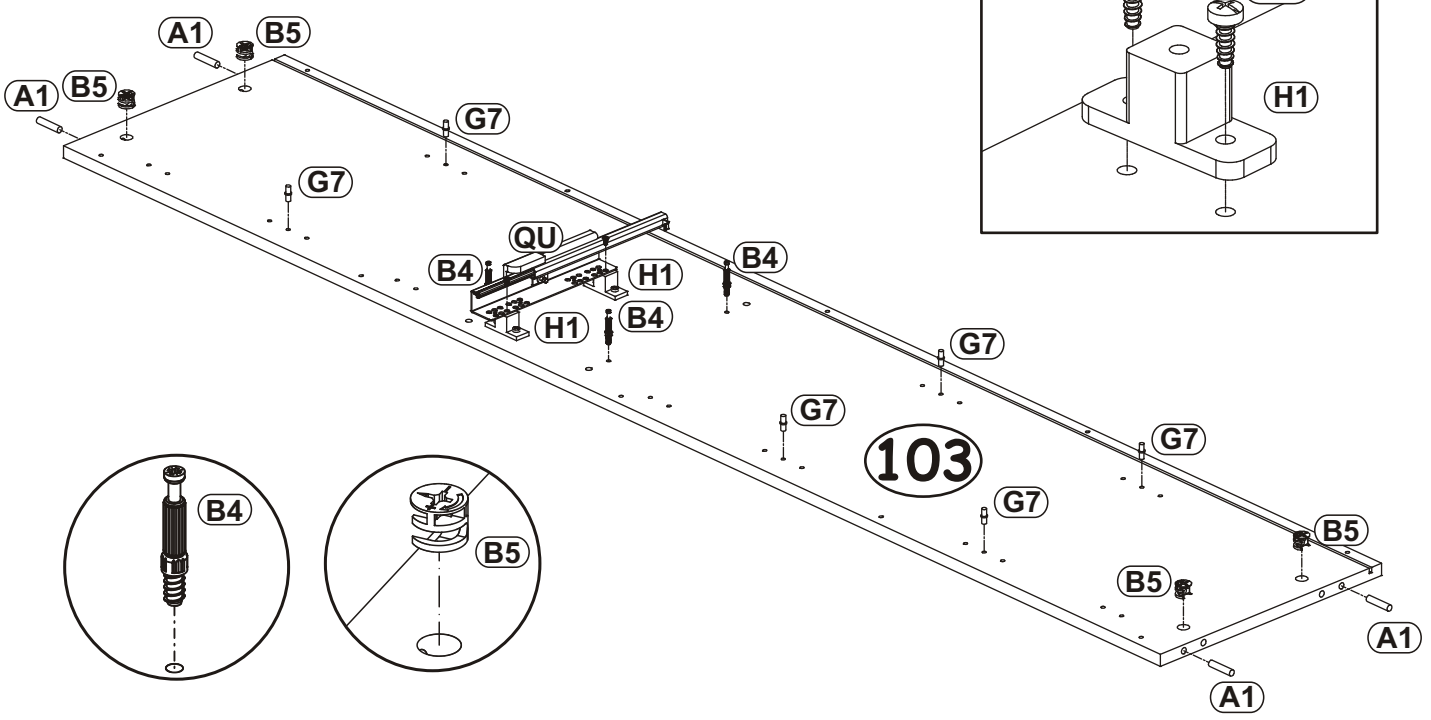
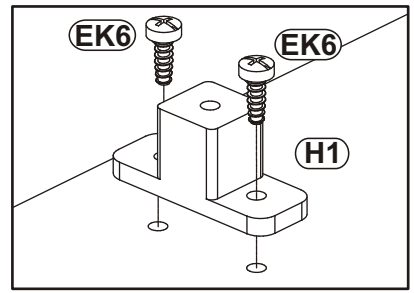
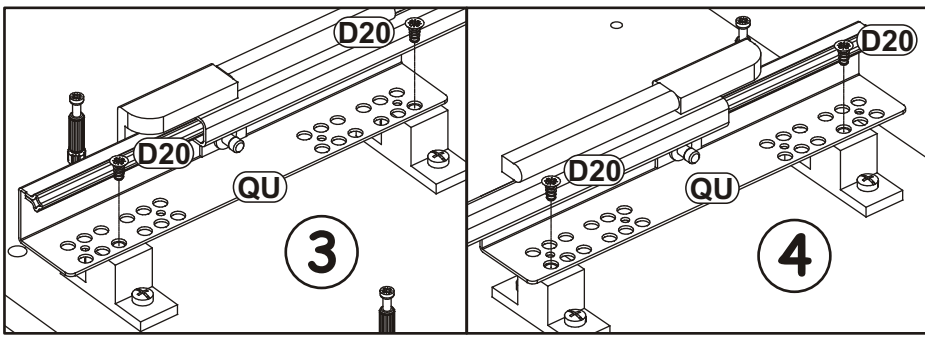
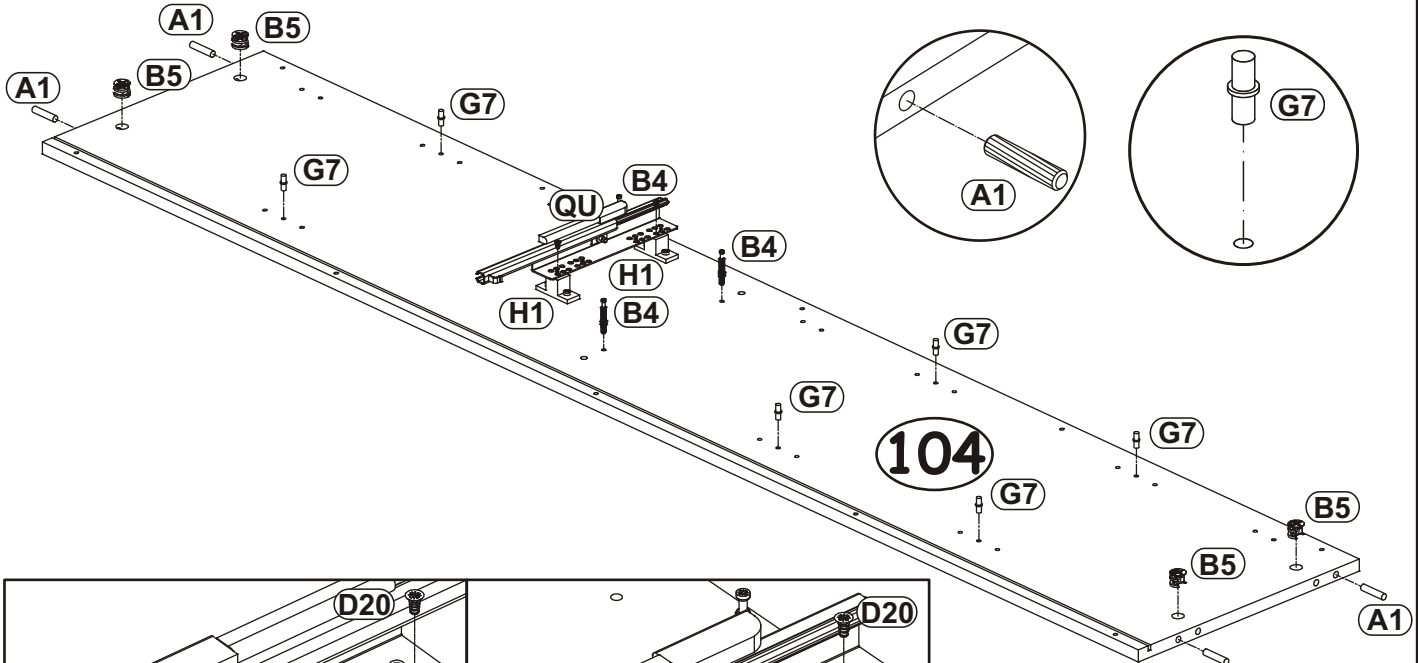
B11 x4	 Ø7x50	D24 x20	 USØ4x30	G4 x4		KM1 x1		G16 x4		E0 x4	 H=11
-----------	--	------------	--	----------	---	-----------	--	-----------	---	----------	---

C19 x3		D16 x2	 M4x16	D4 x4	 M4x30	EK6 x8	 EKØ6,3x13	D9 x6	 USØ3x20	G20 x2	
-----------	--	-----------	---	----------	---	-----------	--	----------	---	-----------	--

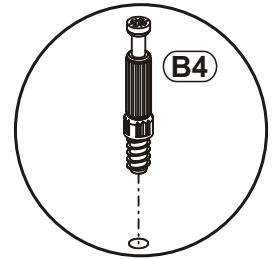
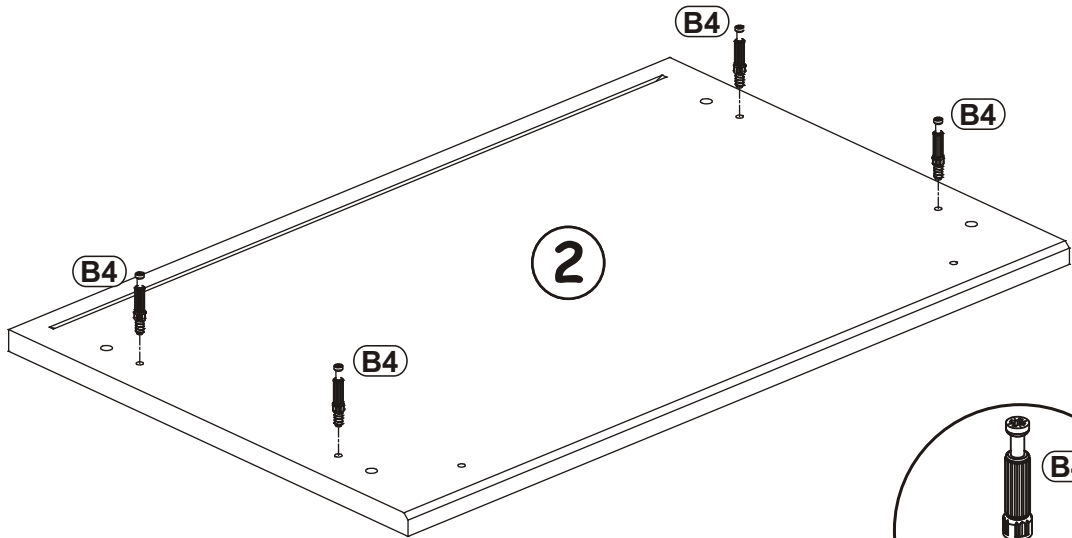
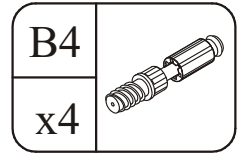


1

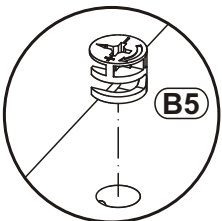
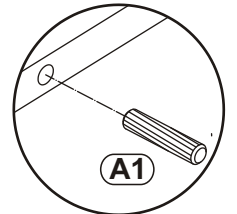
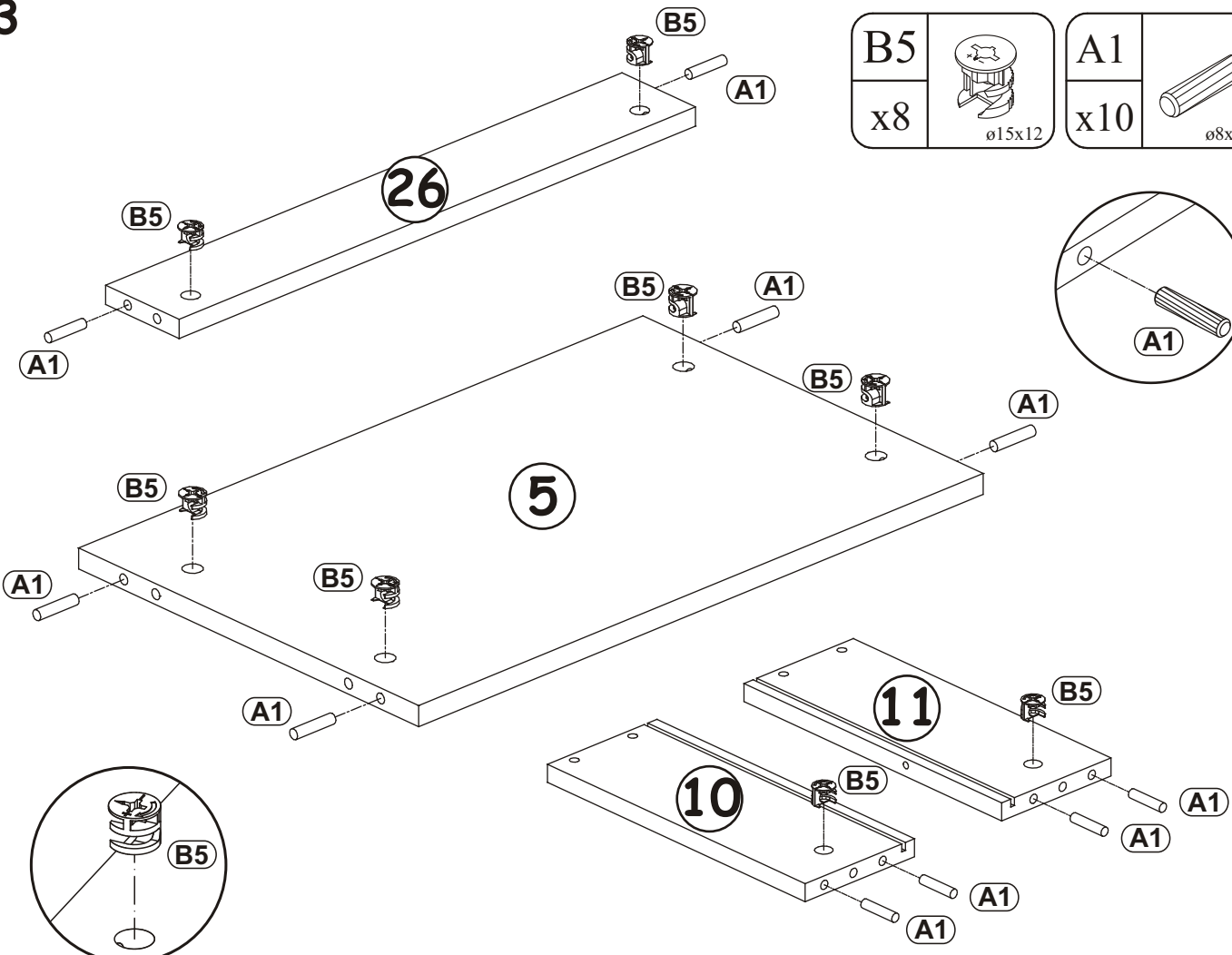
H1 x4		QU x1 L-300		B5 x8 ø15x12		G7 x12	
EK6 x8		D20 x4 ESØ6,3x9,5		B4 x6		A1 x8 ø8x36	



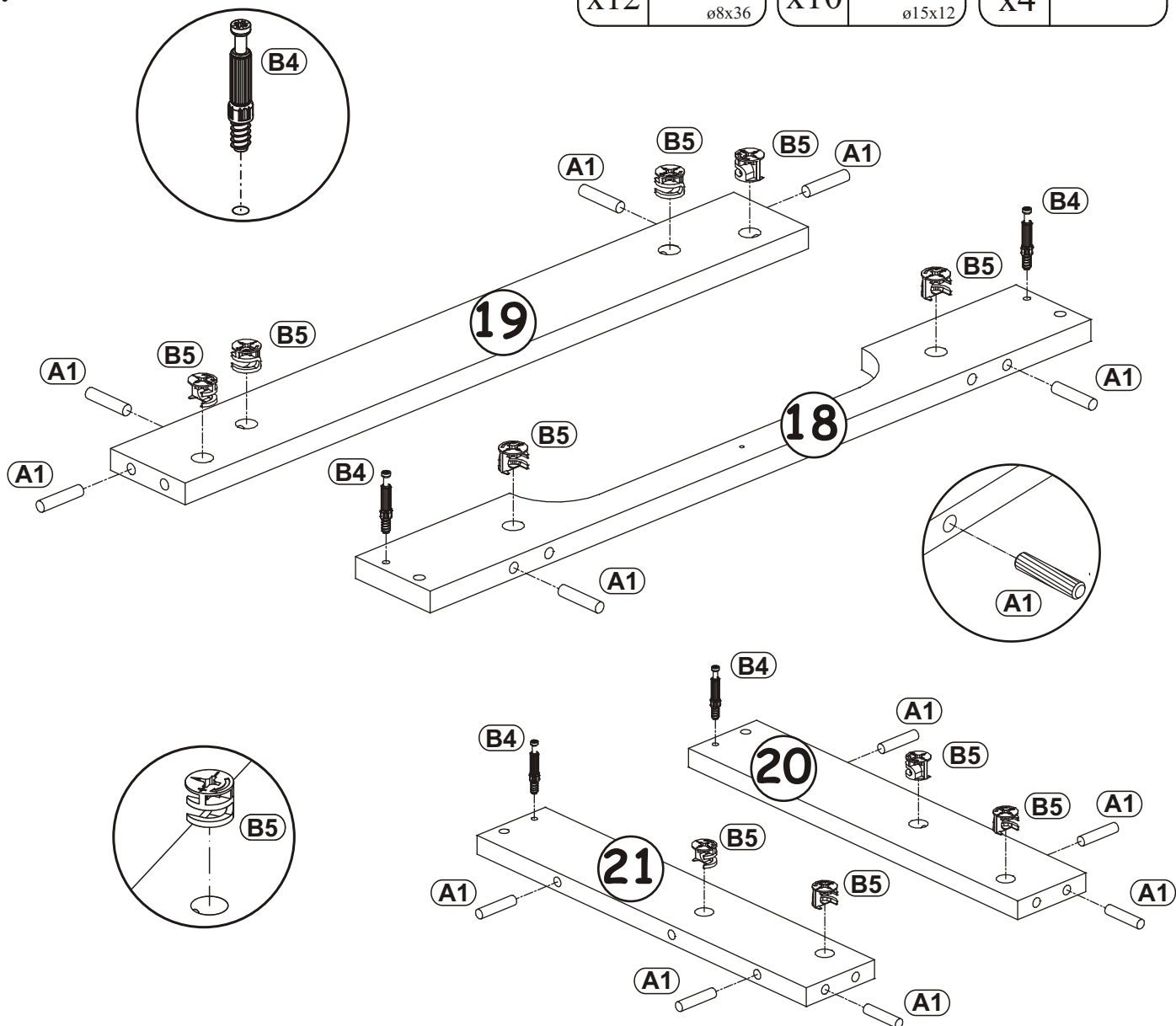
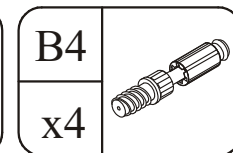
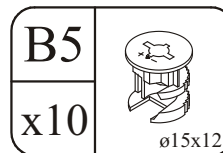
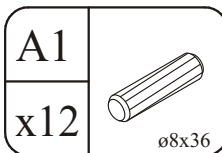
2



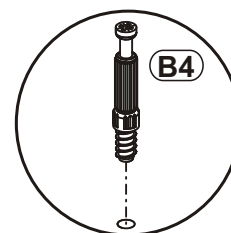
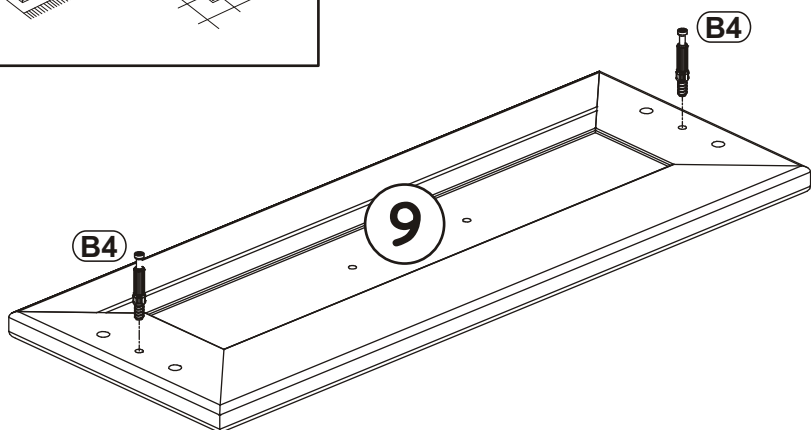
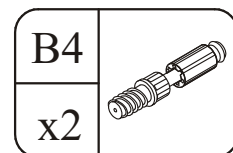
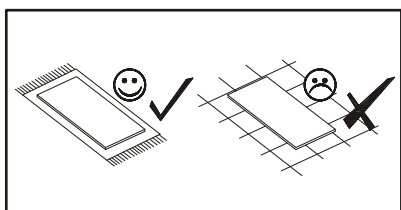
3



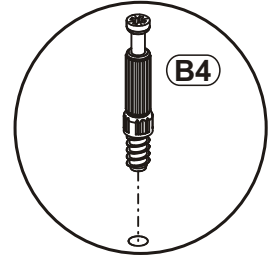
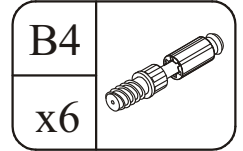
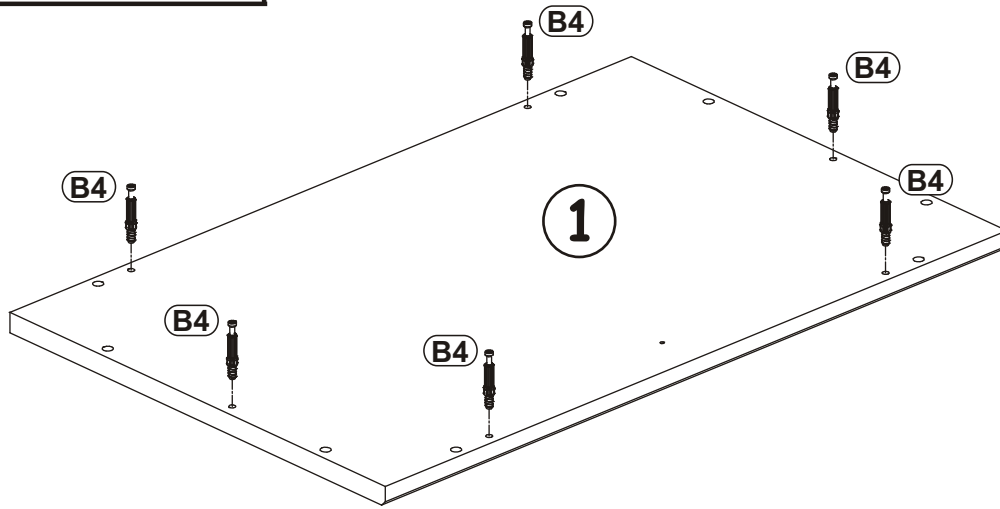
4



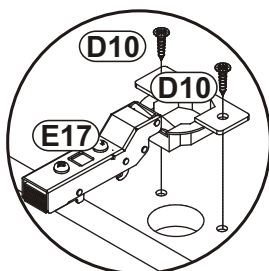
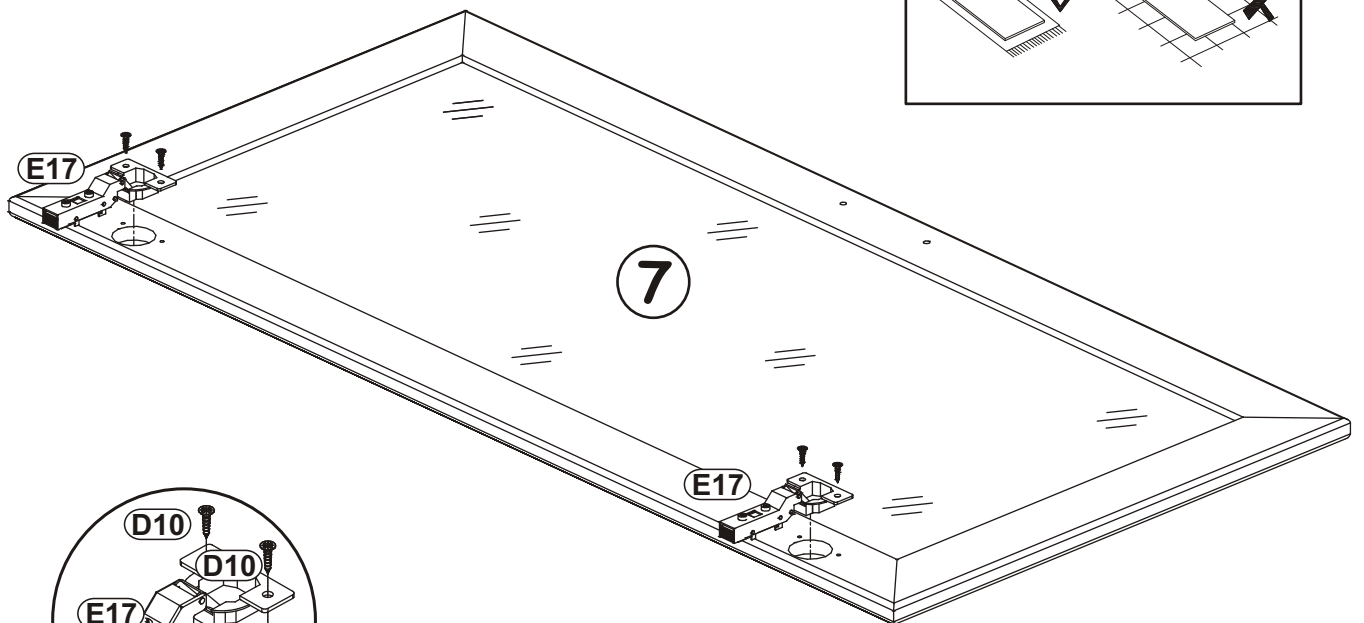
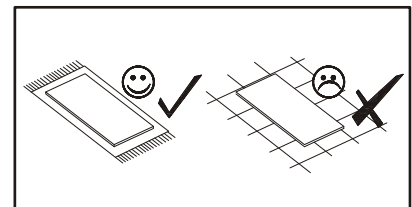
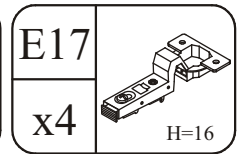
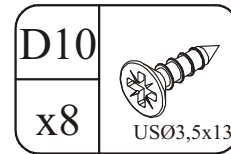
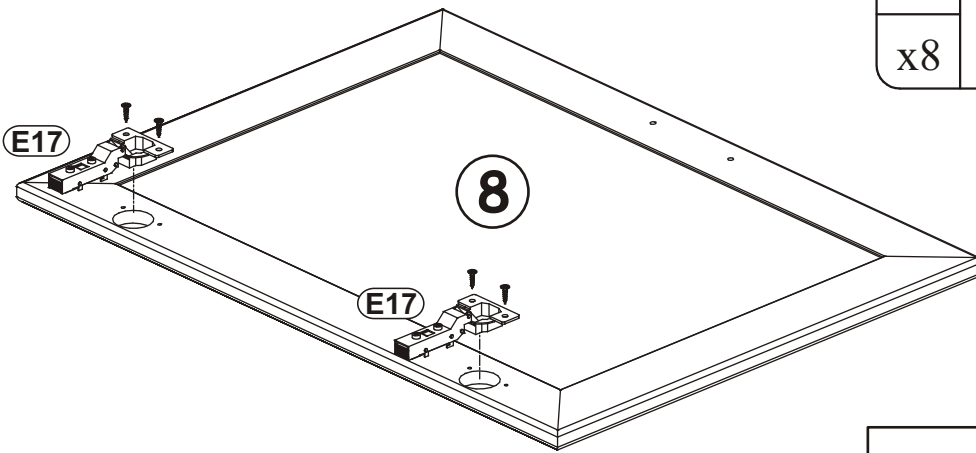
5



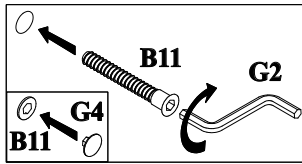
6



7



8



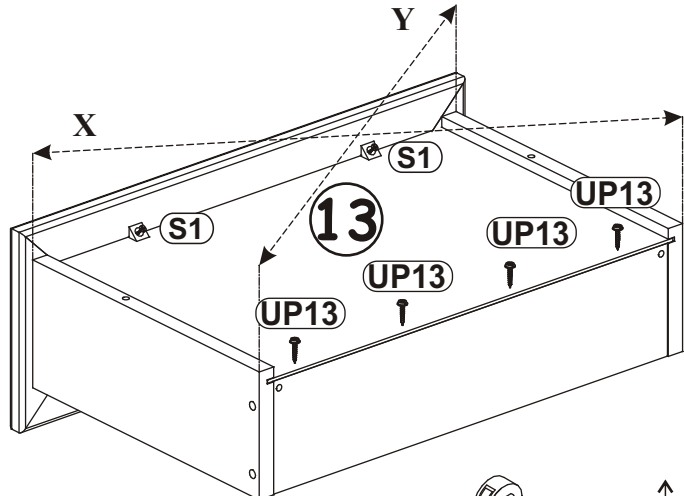
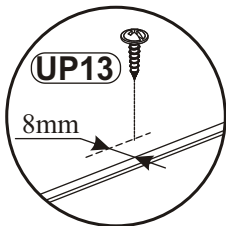
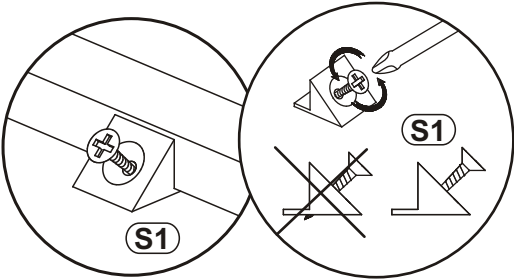
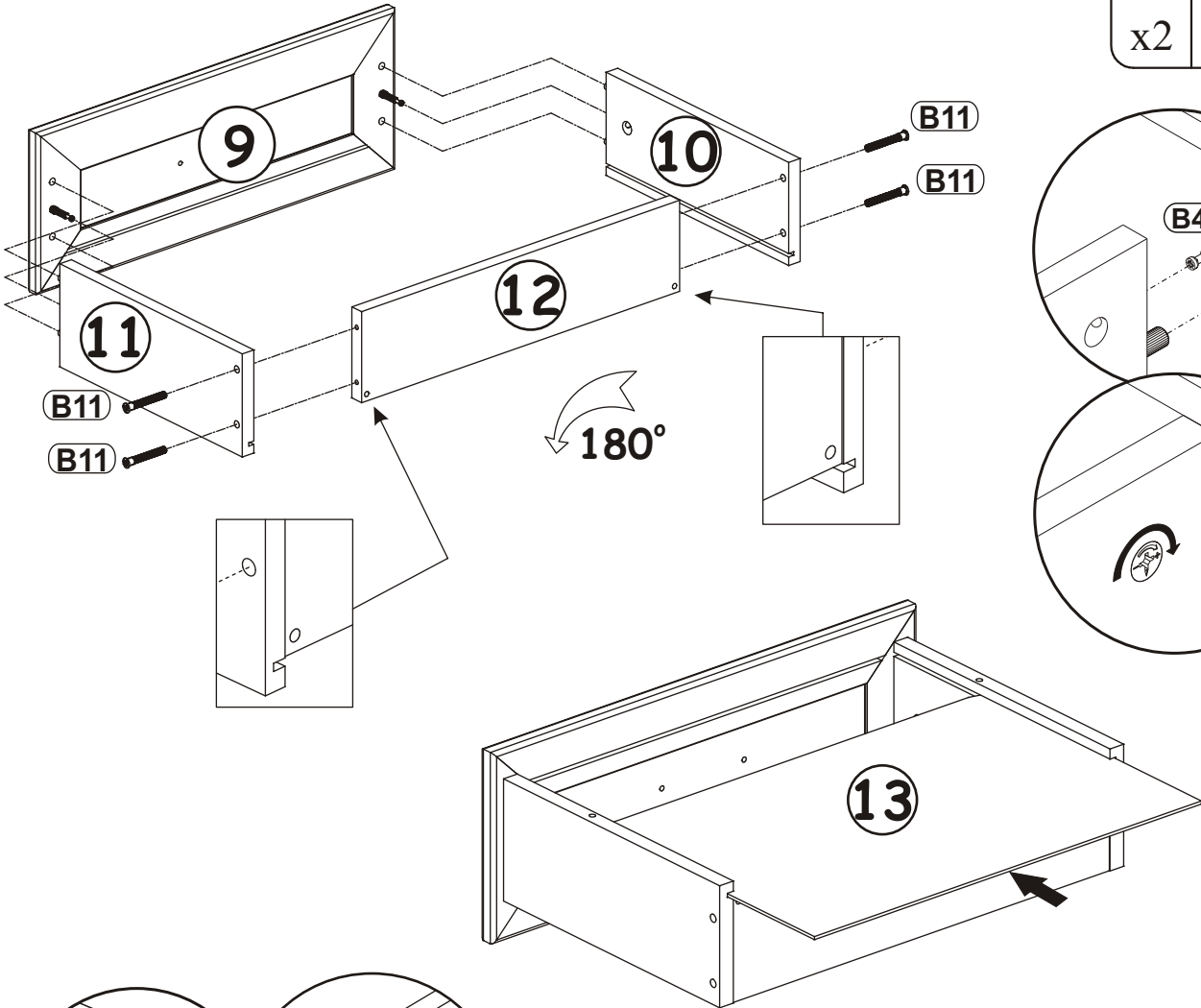
UP13	
x4	UPØ3x16

G5	
x2	

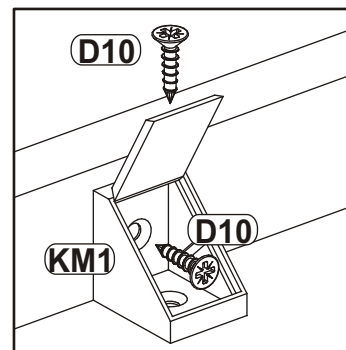
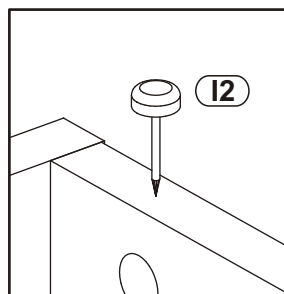
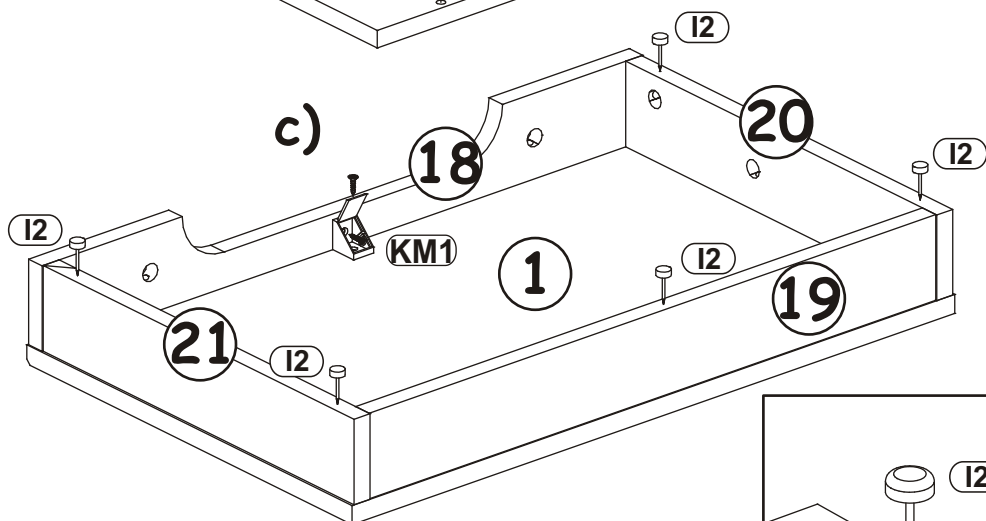
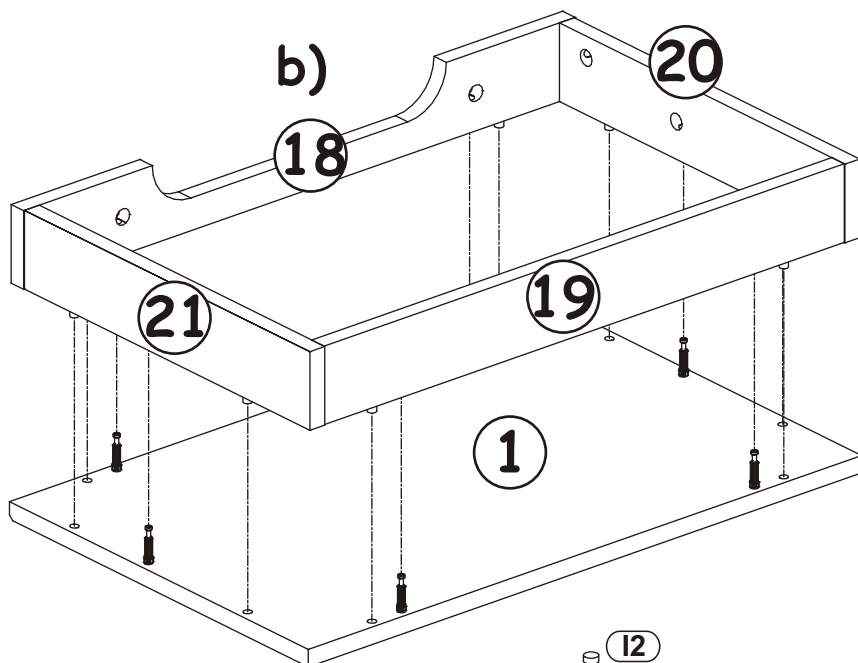
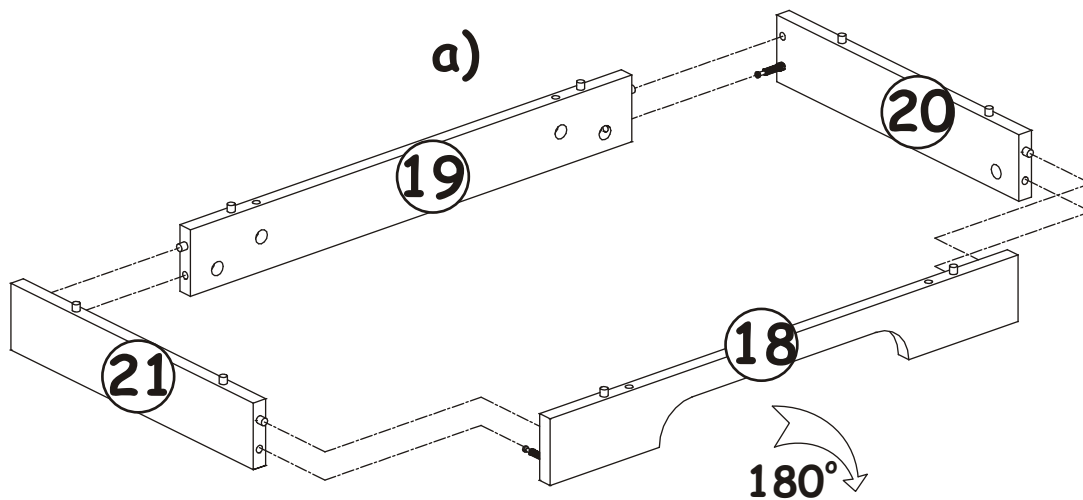
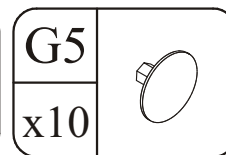
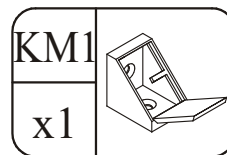
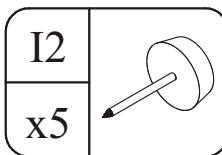
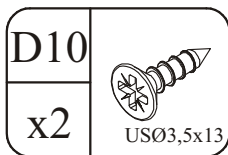
B11	
x4	Ø7x50

G4	
x4	

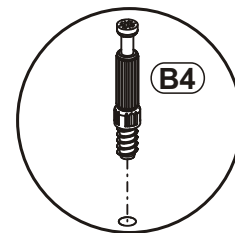
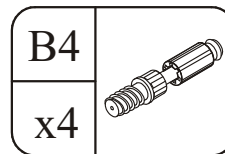
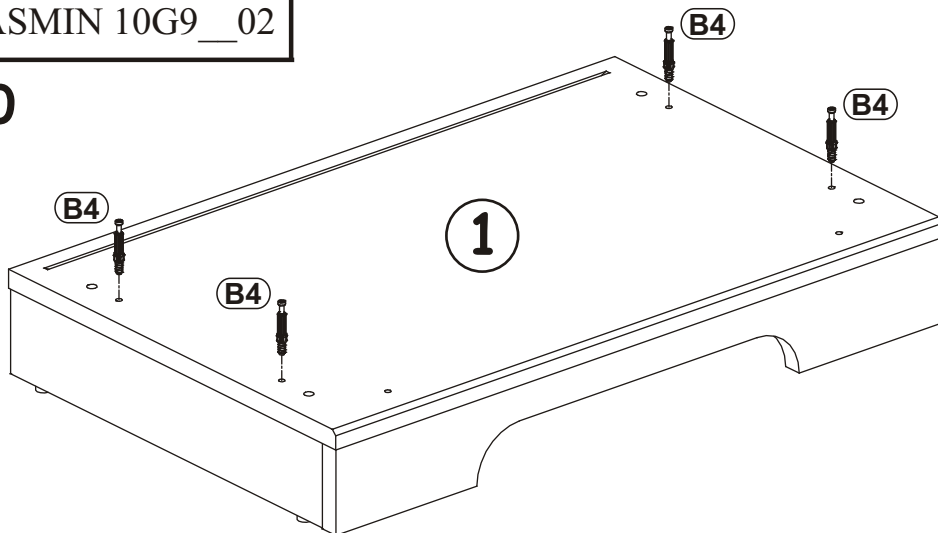
S1	
x2	



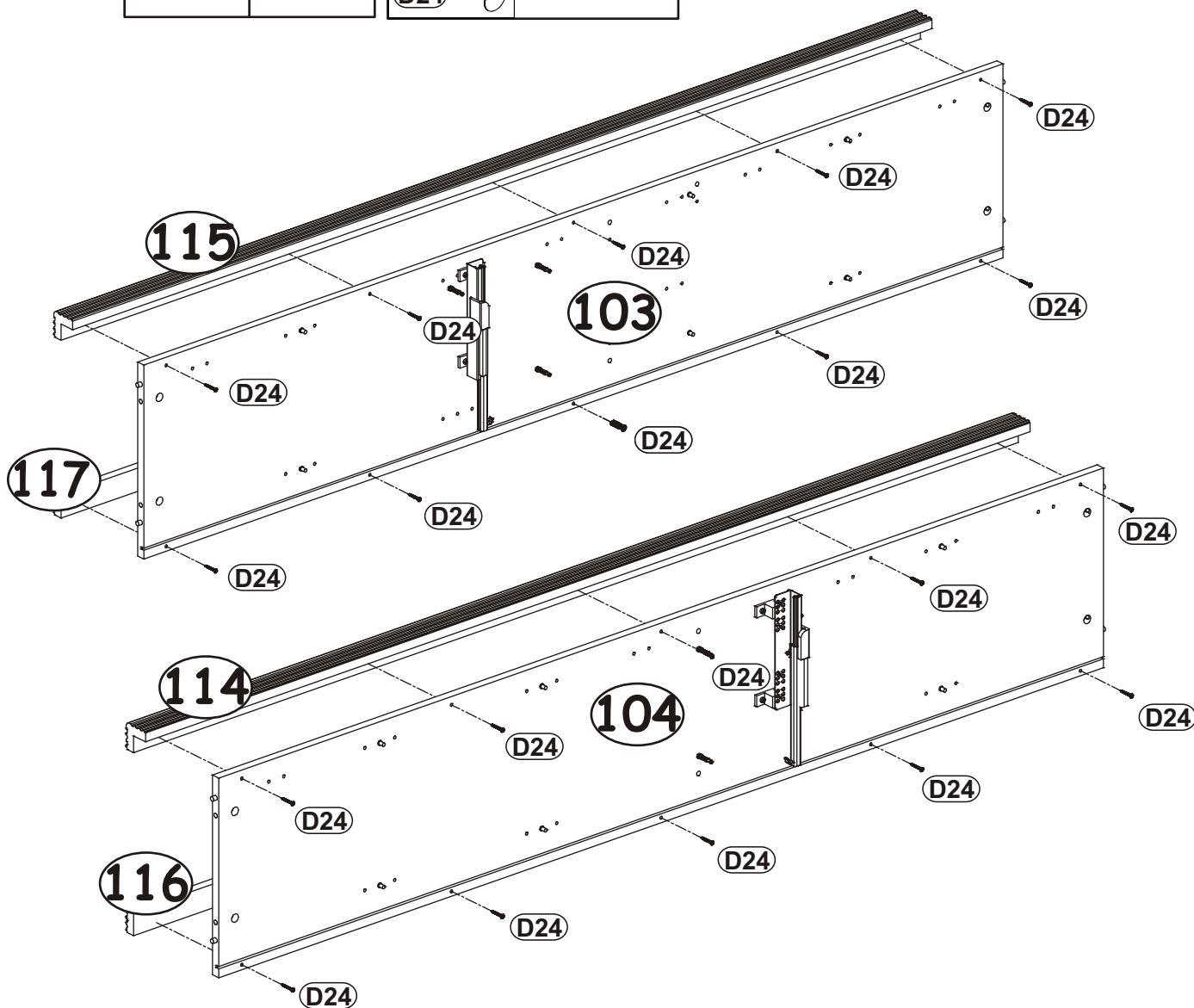
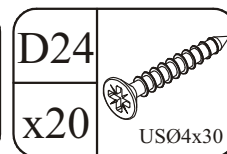
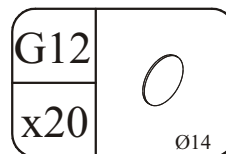
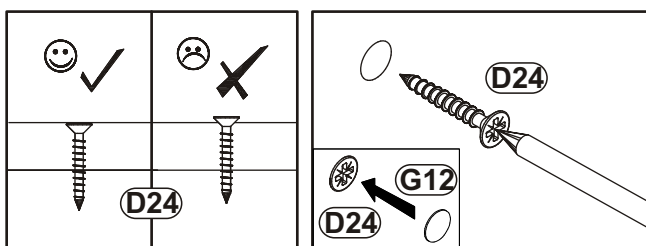
9

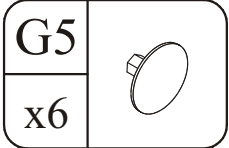


10

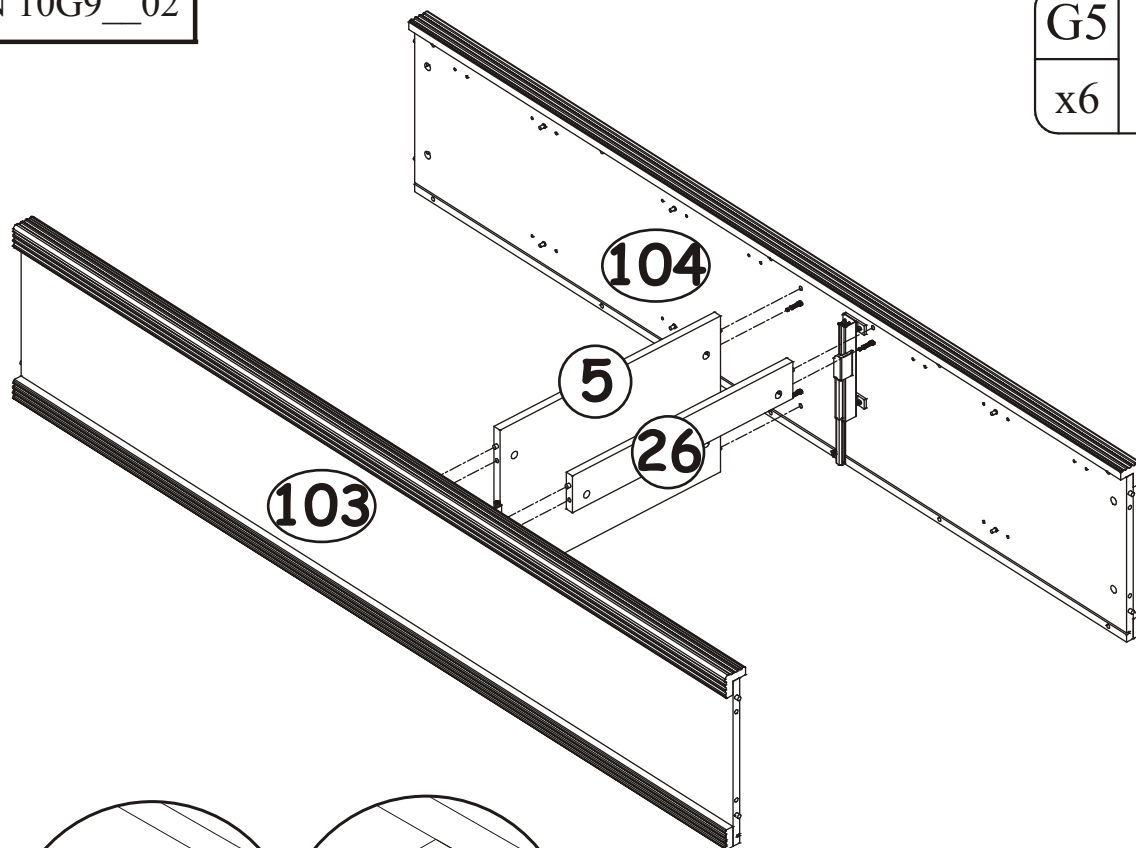


11

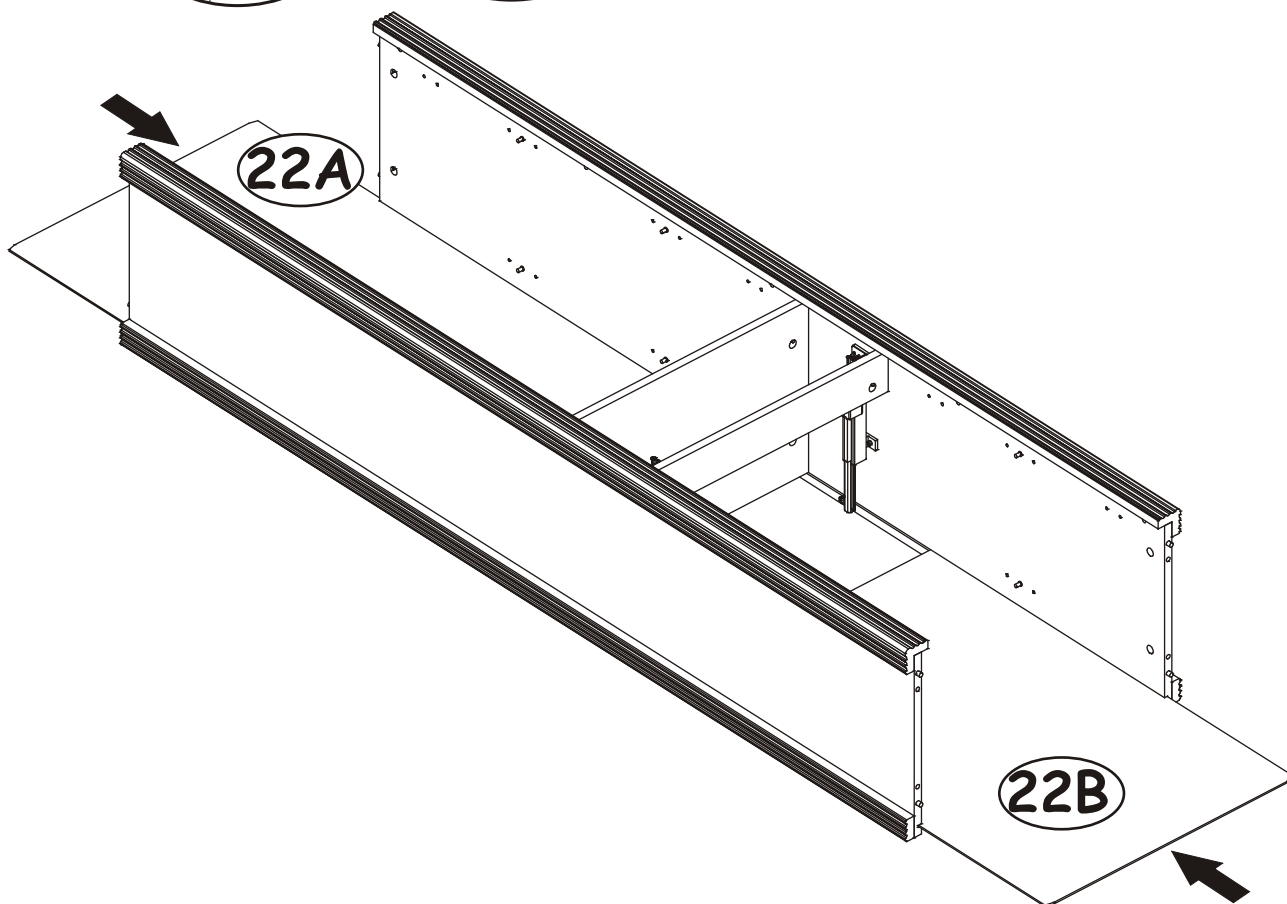
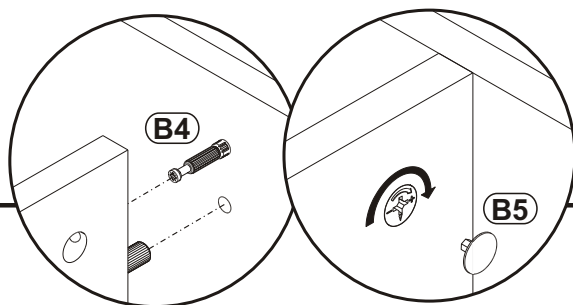





12

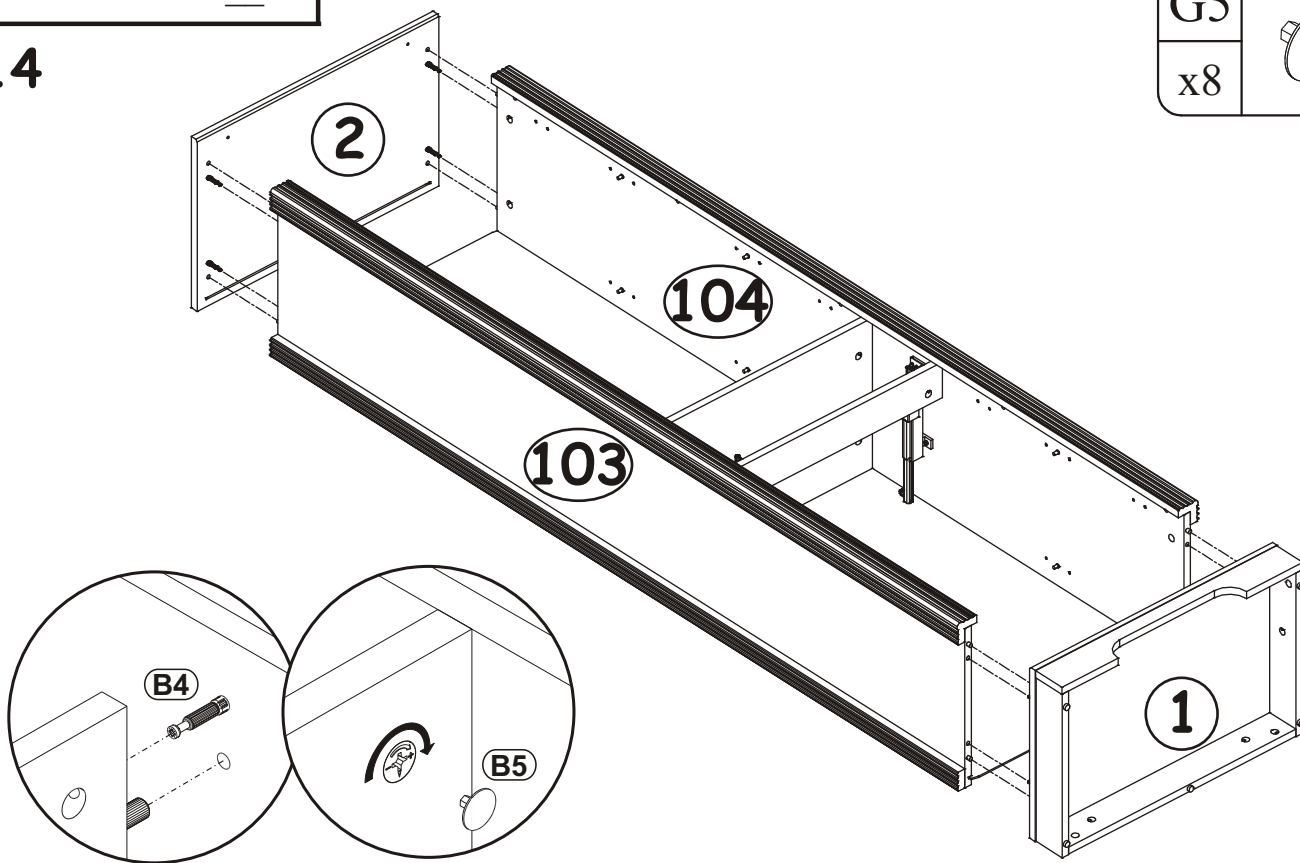


13



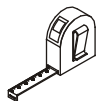
14


G5	
x8	

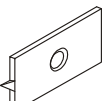


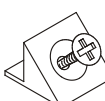
15

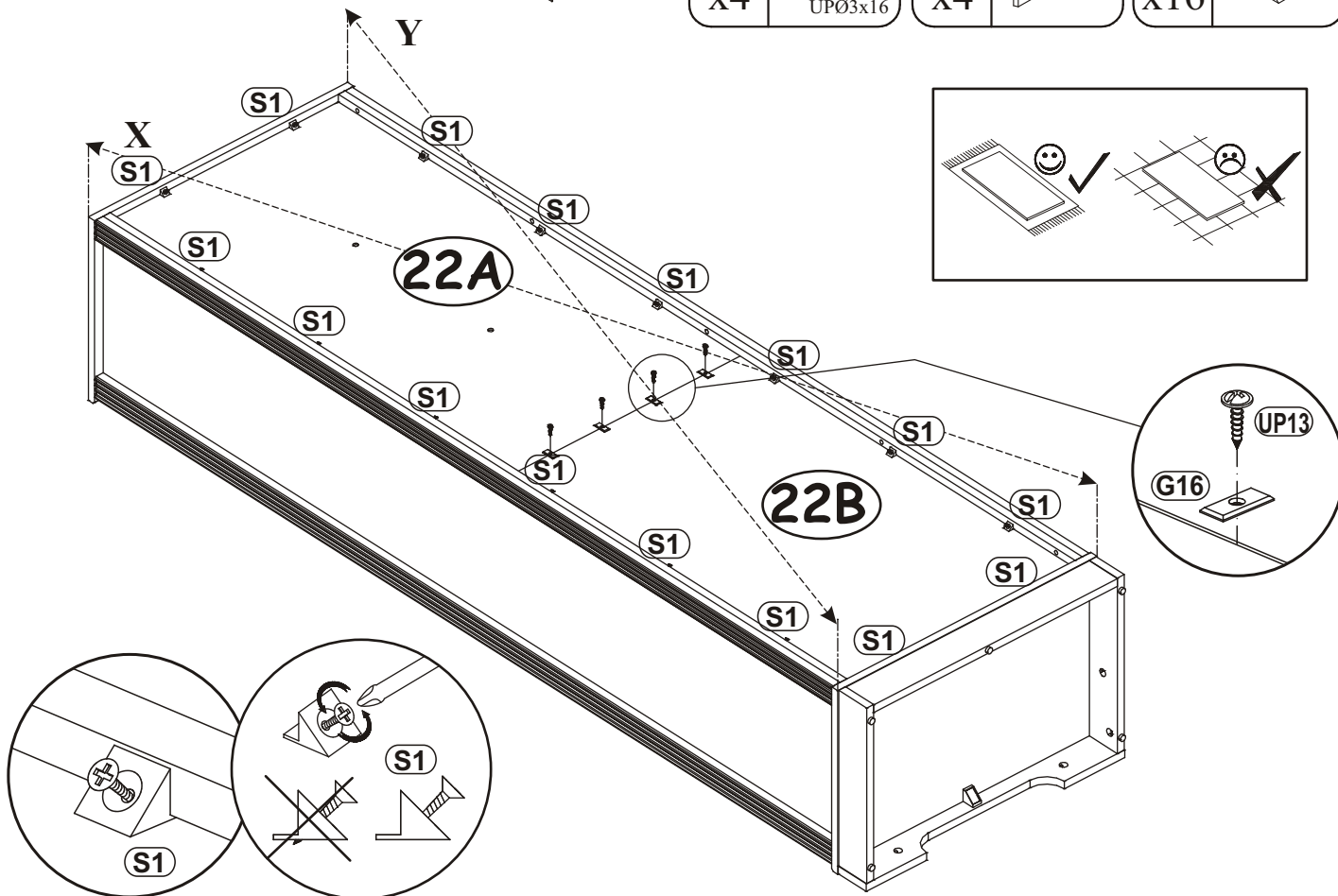
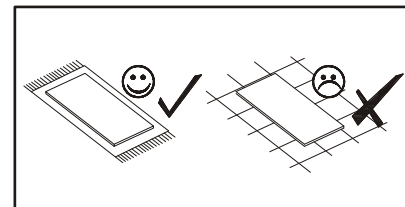
$X=Y$ 90°



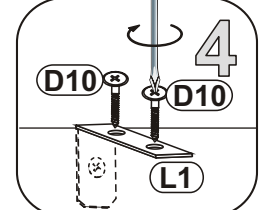
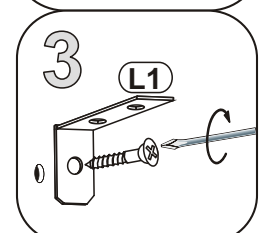
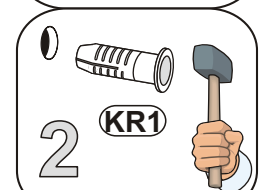
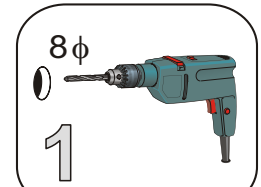
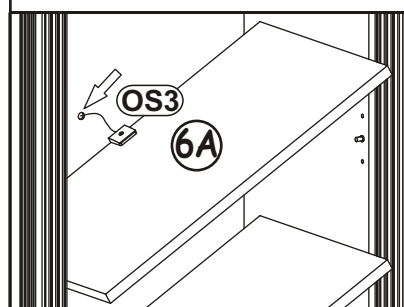
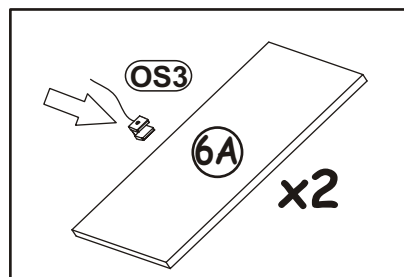
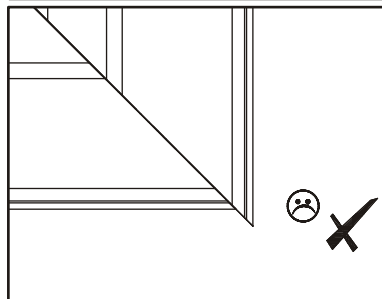
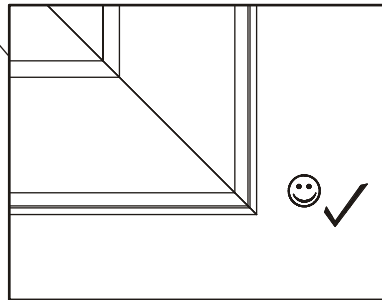
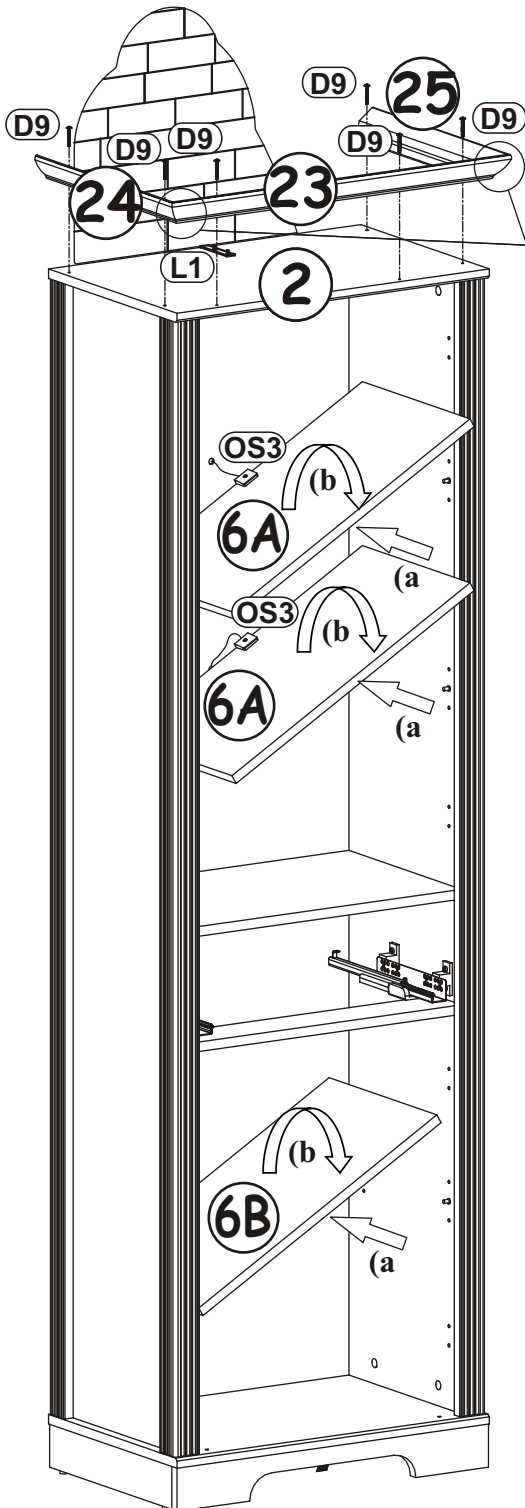
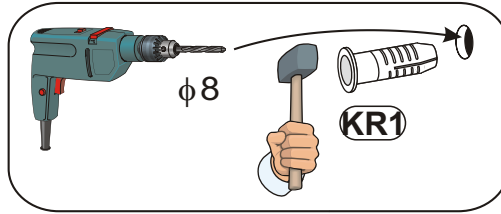
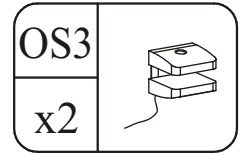
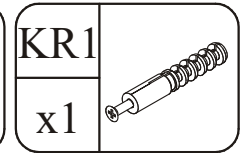
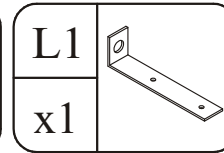
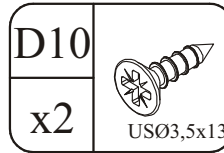
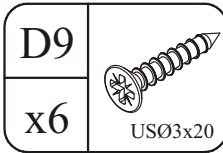
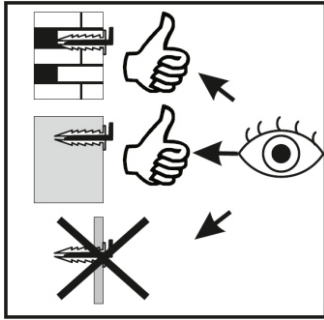
UP13	
x4	UPØ3x16

G16	
x4	

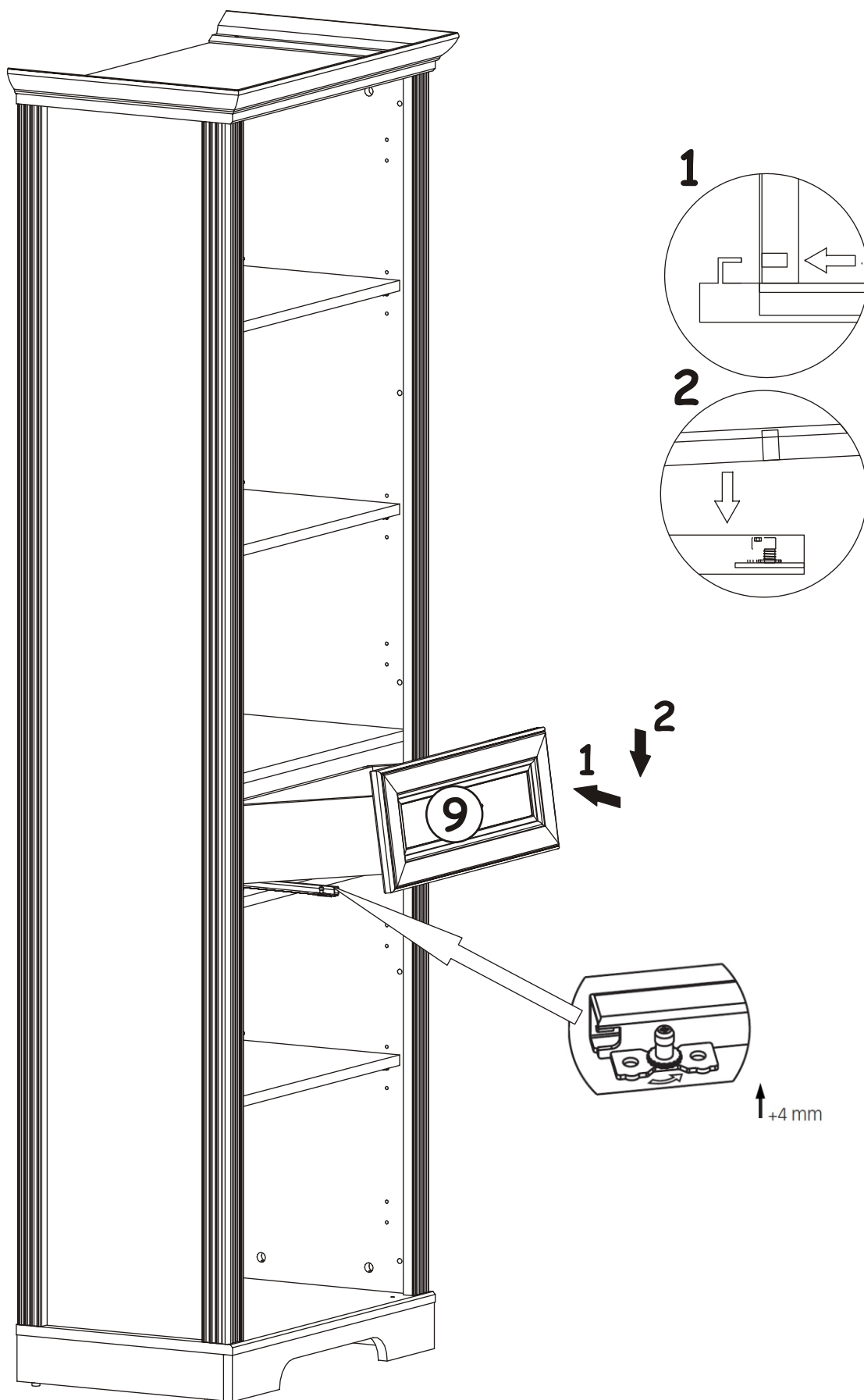
S1	
x16	



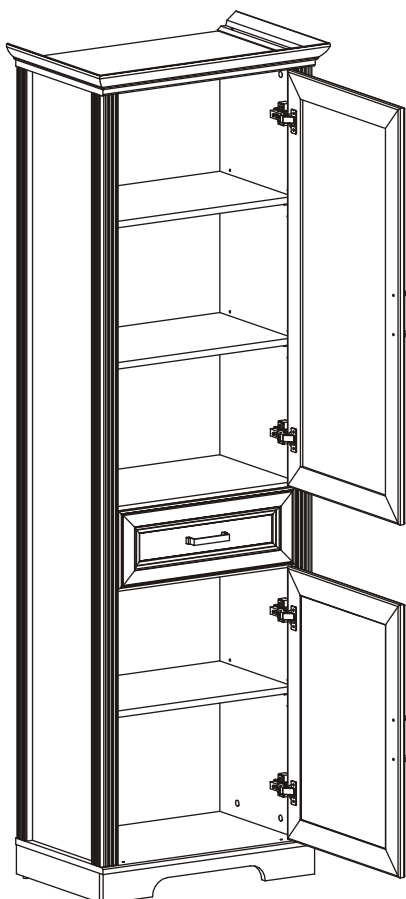
16



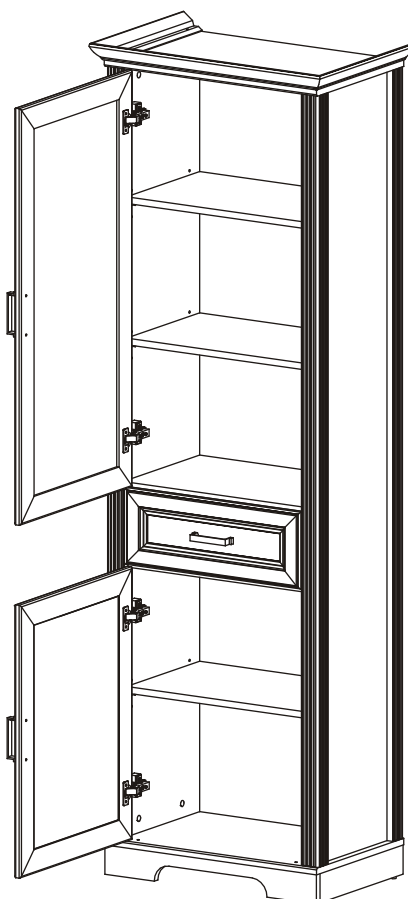
17



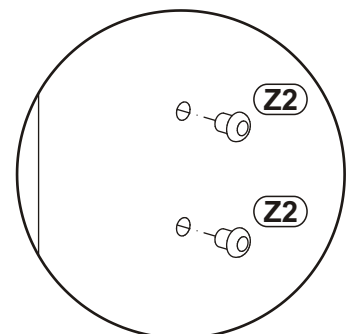
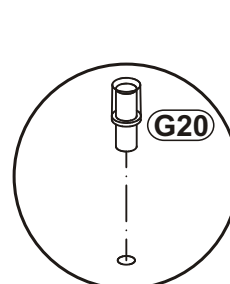
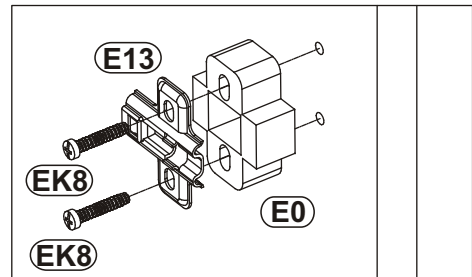
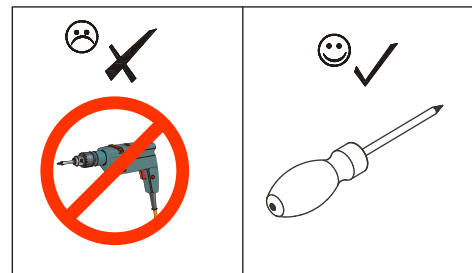
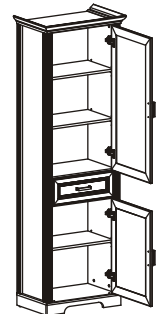
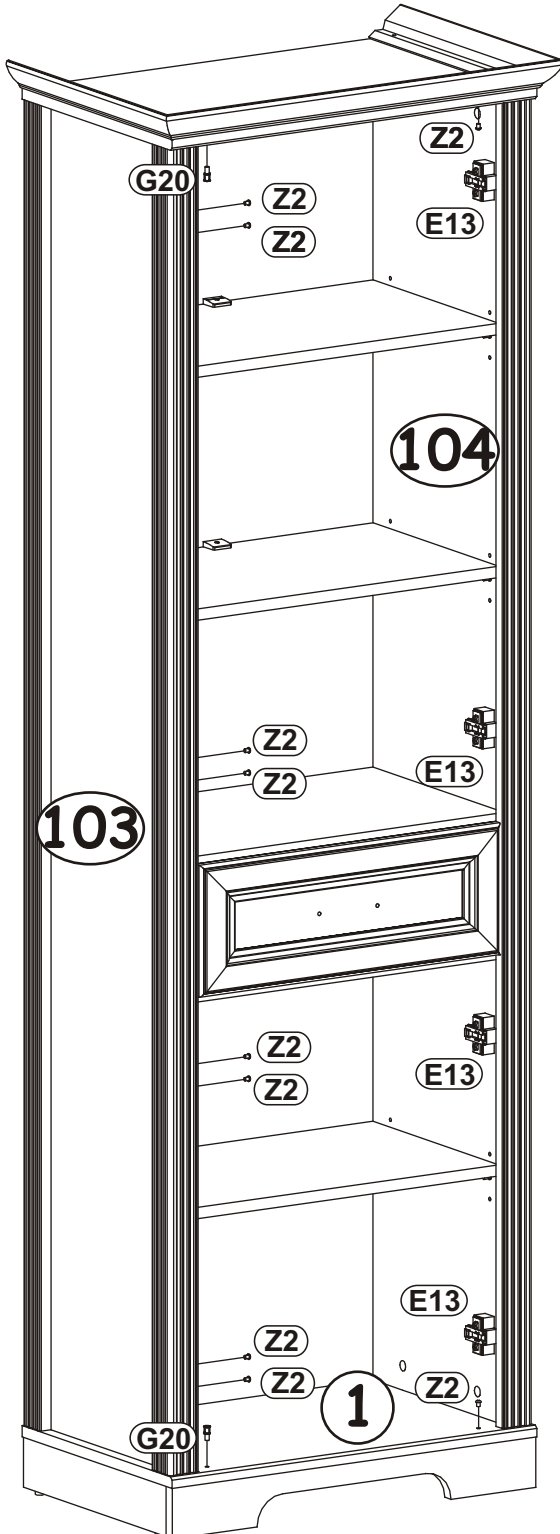
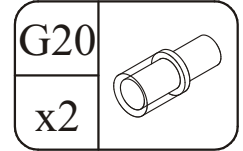
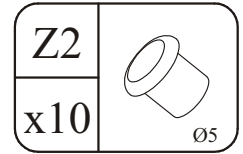
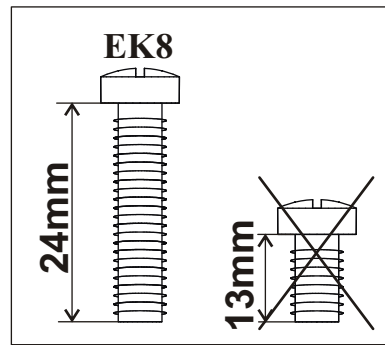
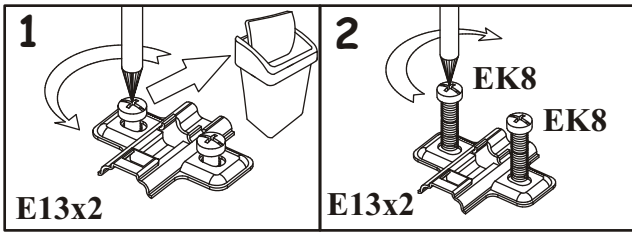
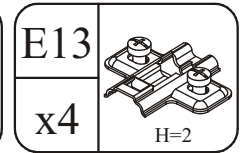
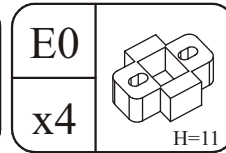
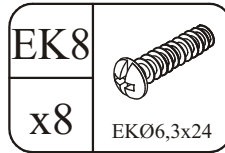
18 - 21



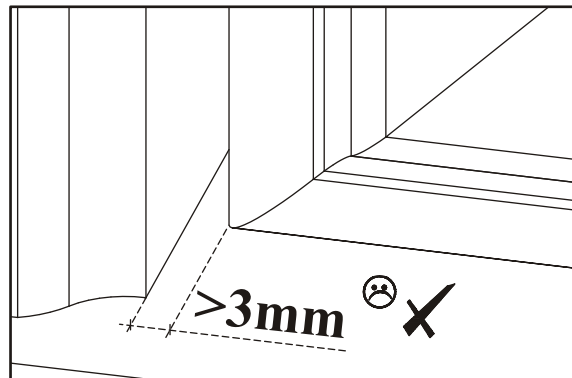
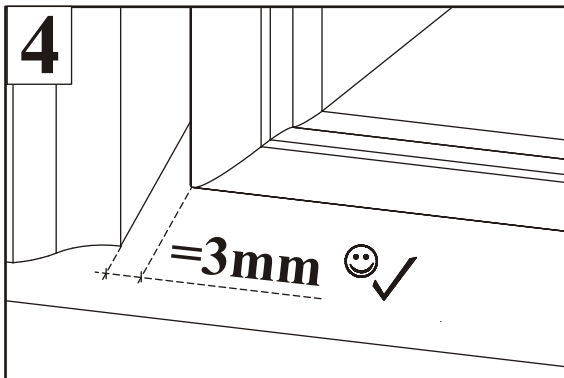
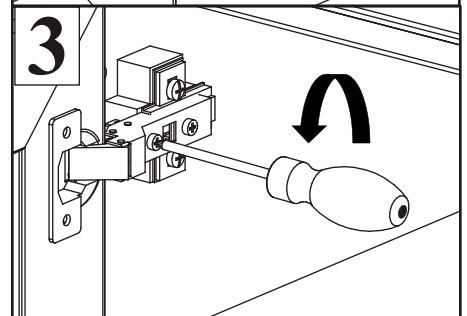
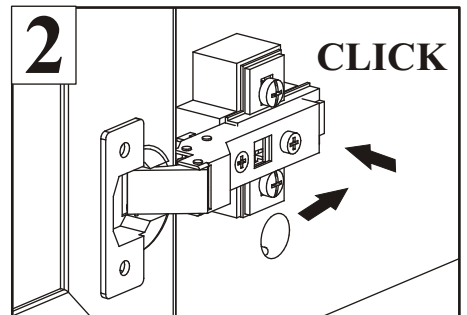
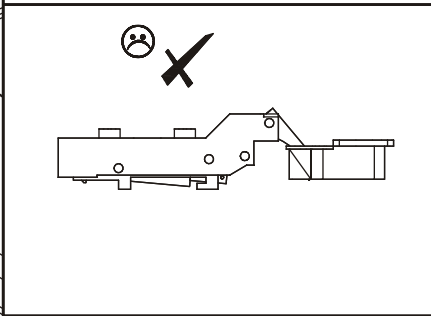
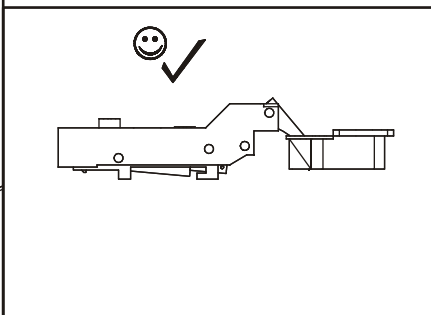
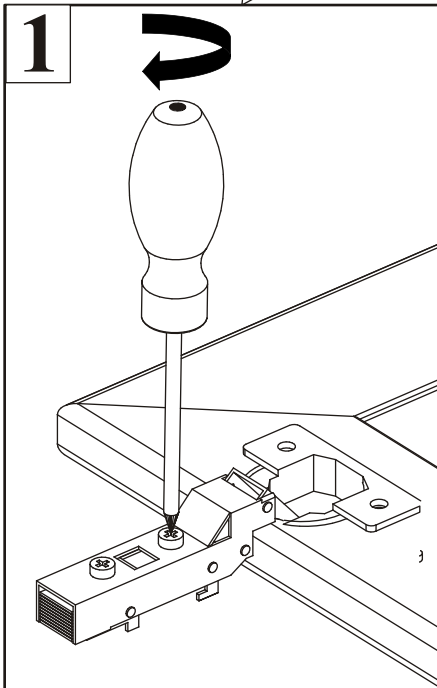
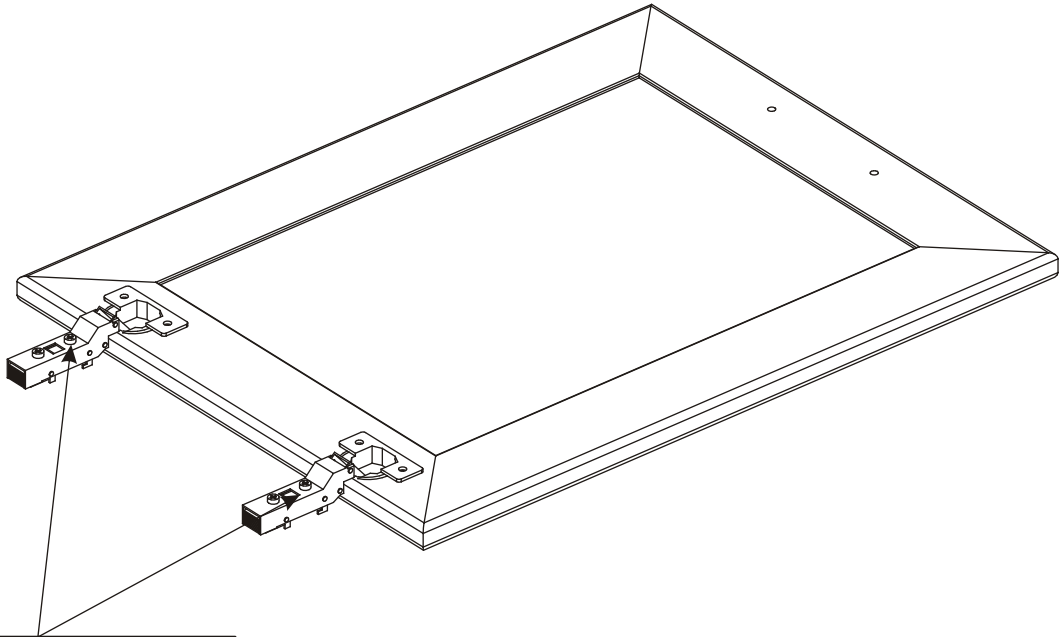
22 - 25



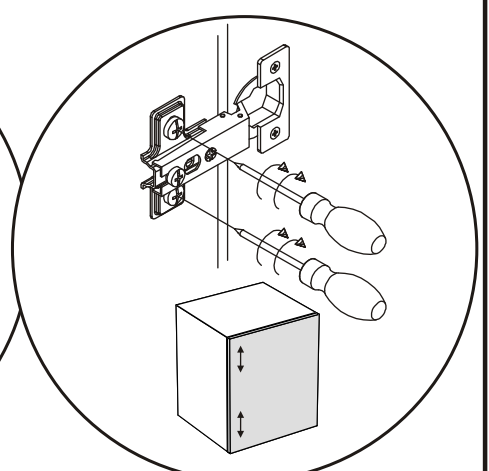
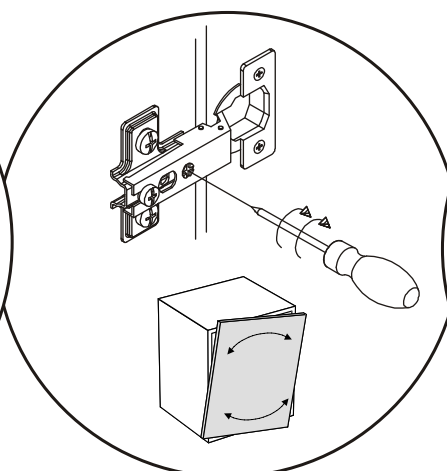
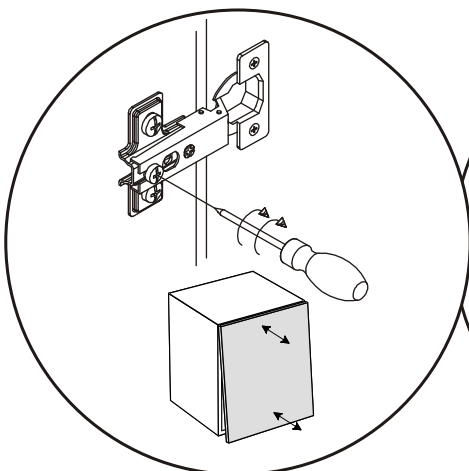
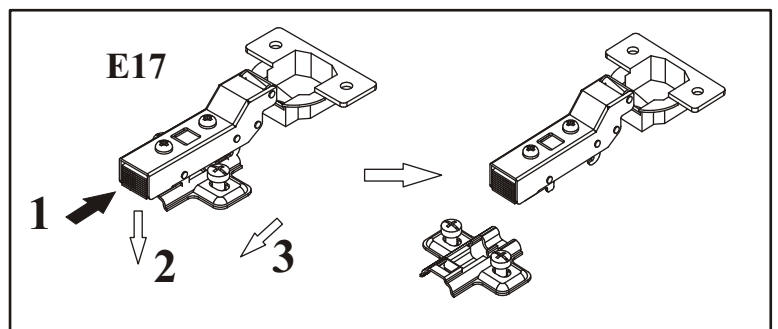
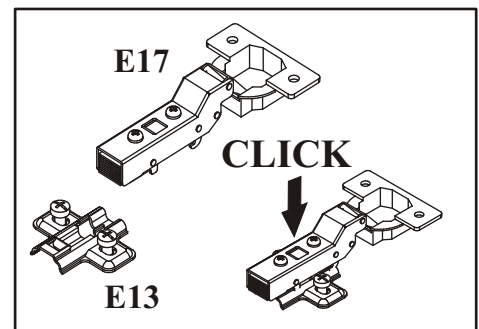
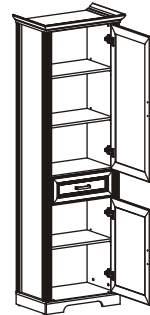
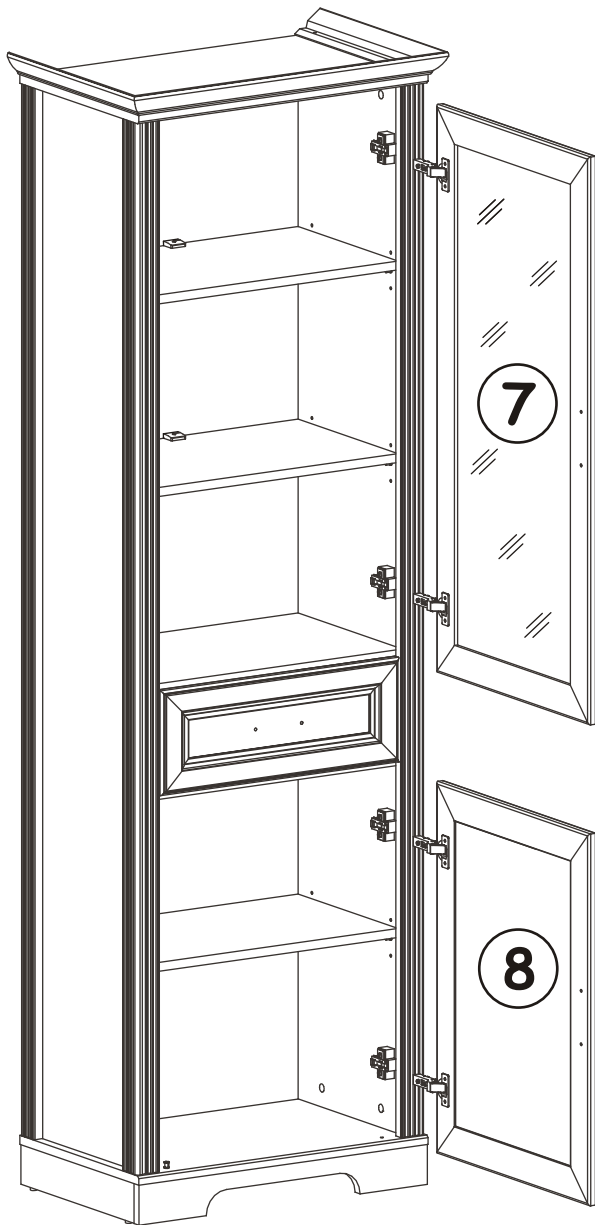
18



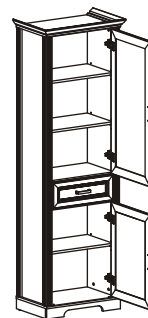
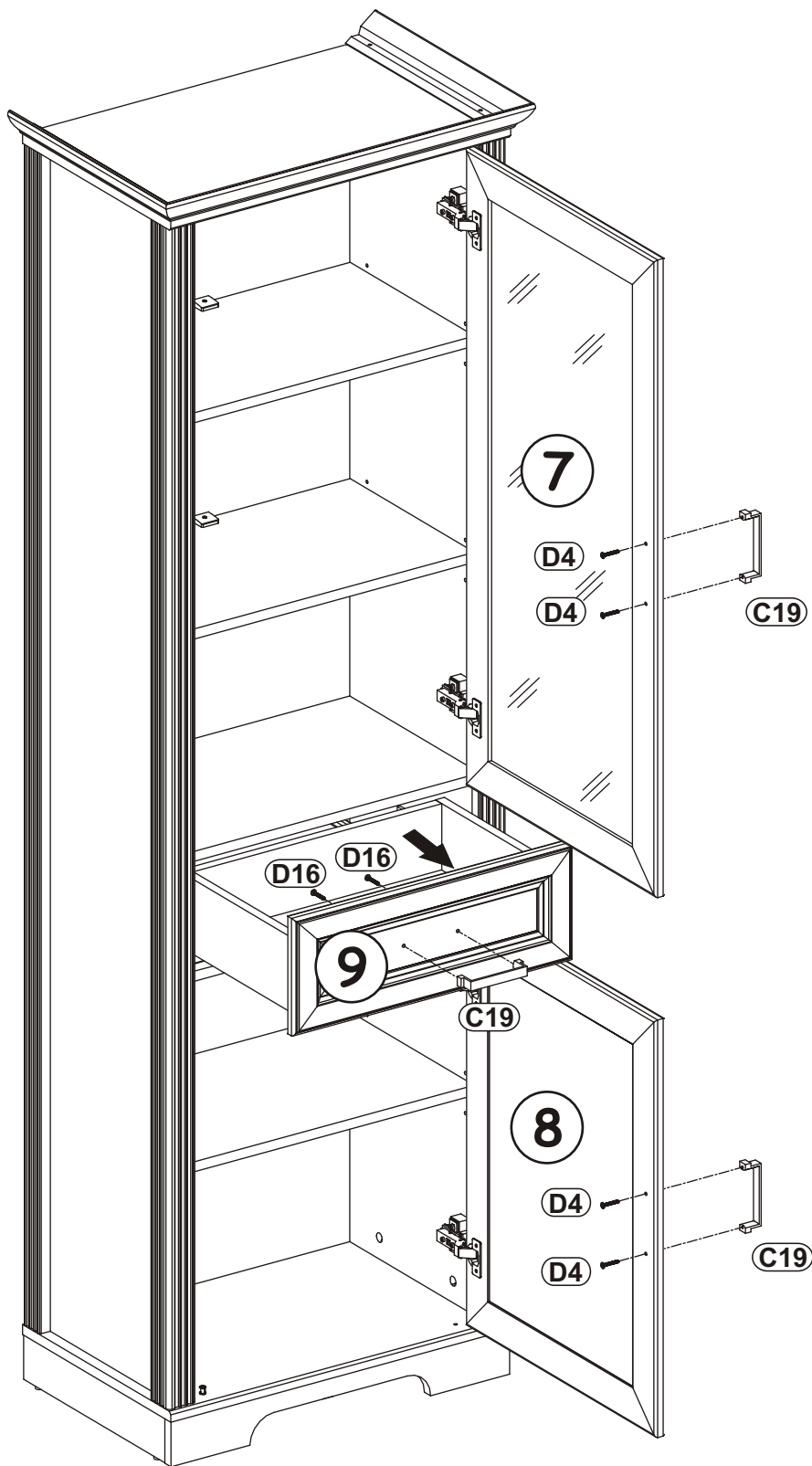
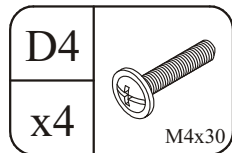
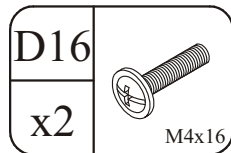
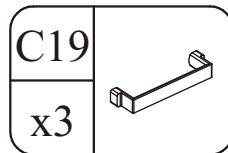
19



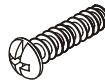
20

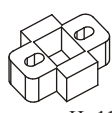


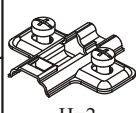
21

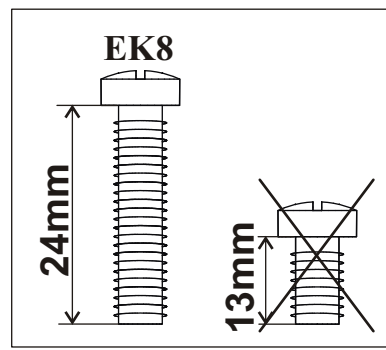
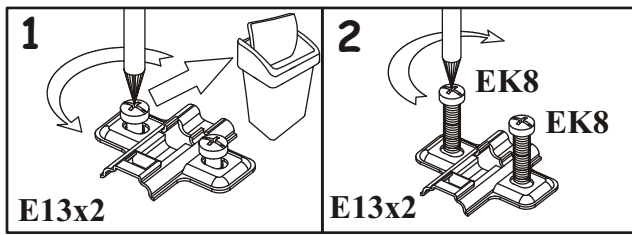



22

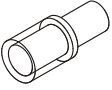
EK8	
x8	EKØ6,3x24

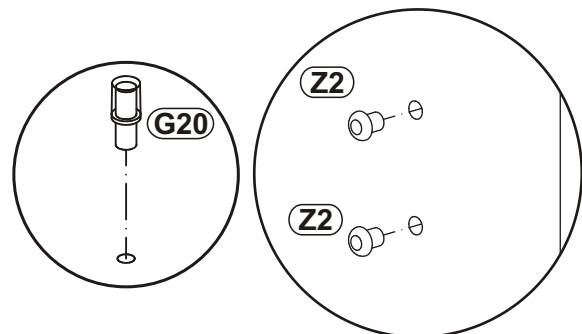
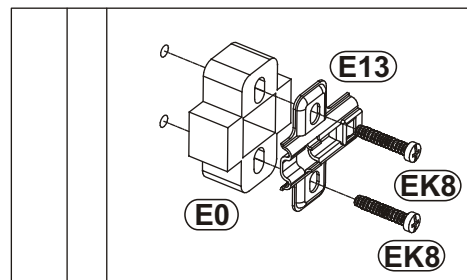
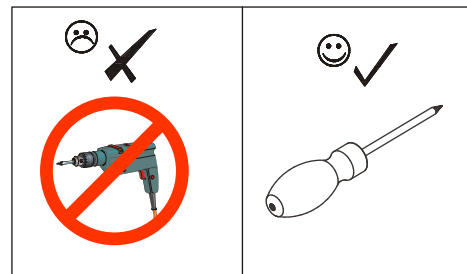
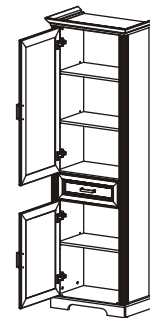
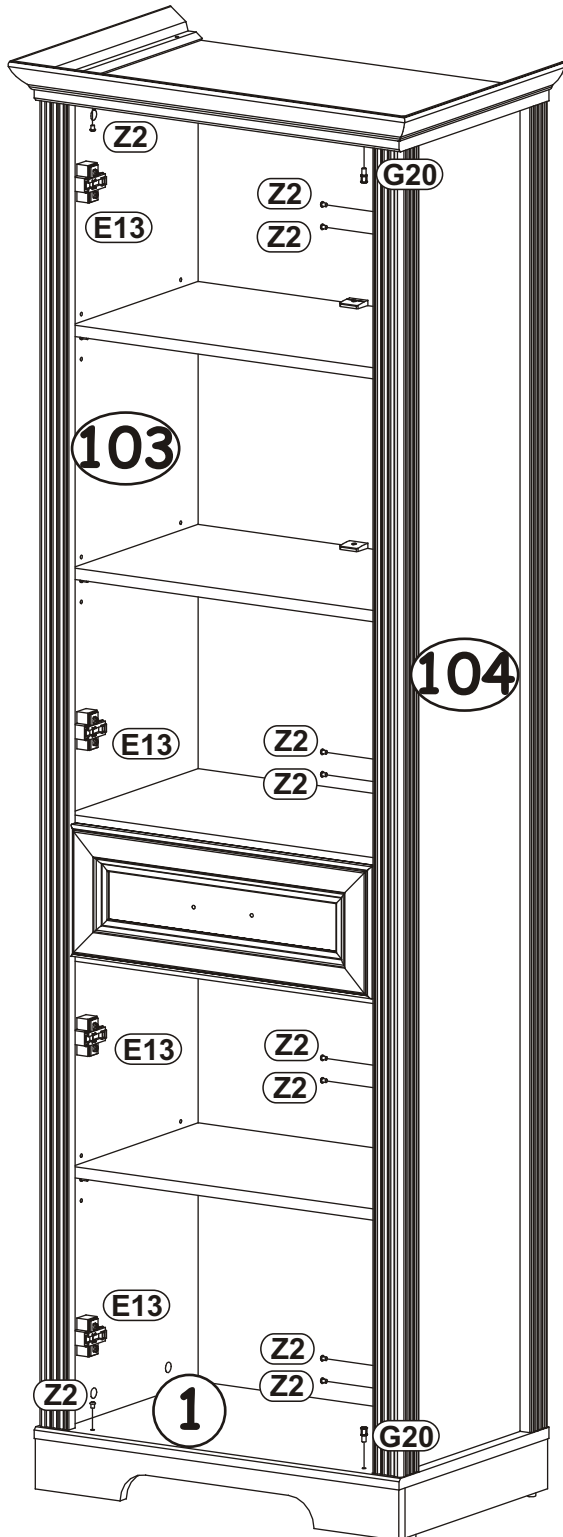
E0	
x4	H=11

E13	
x4	H=2

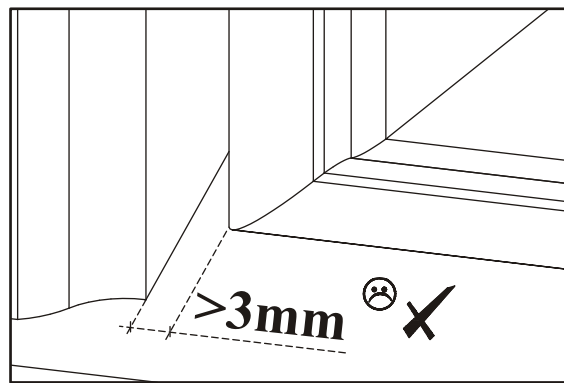
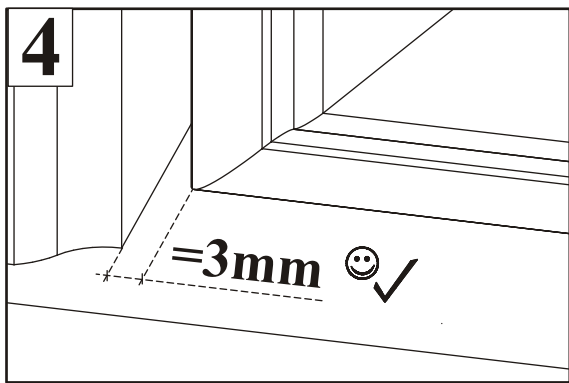
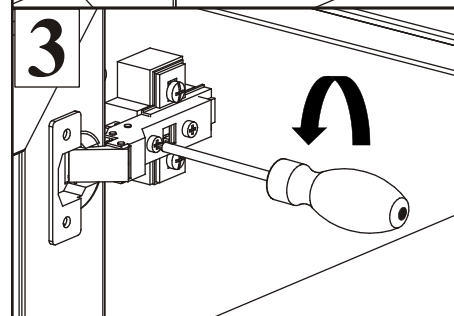
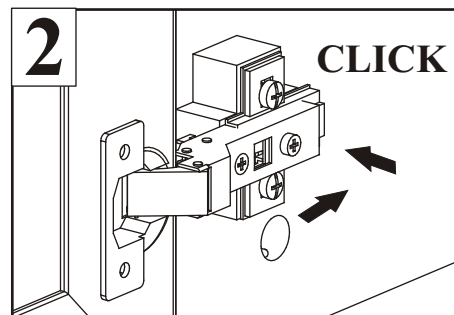
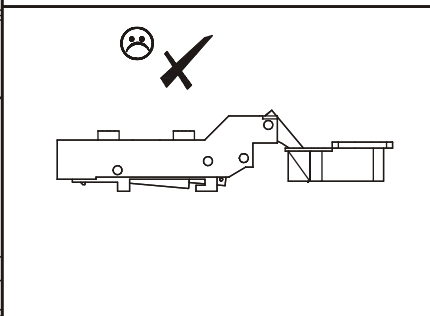
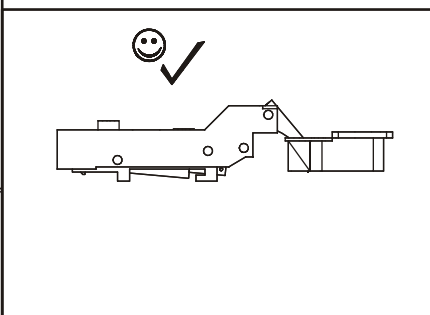
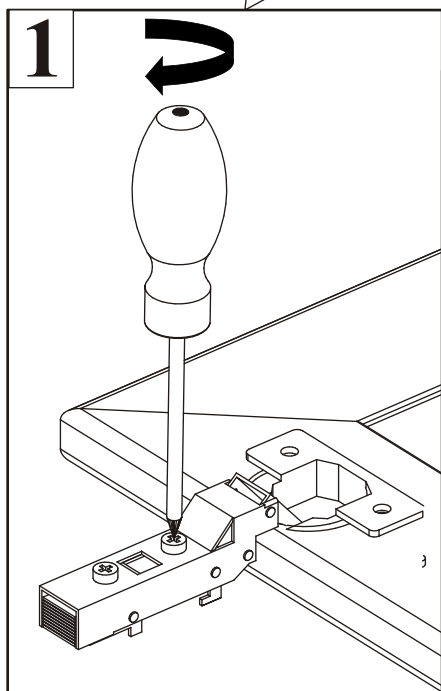
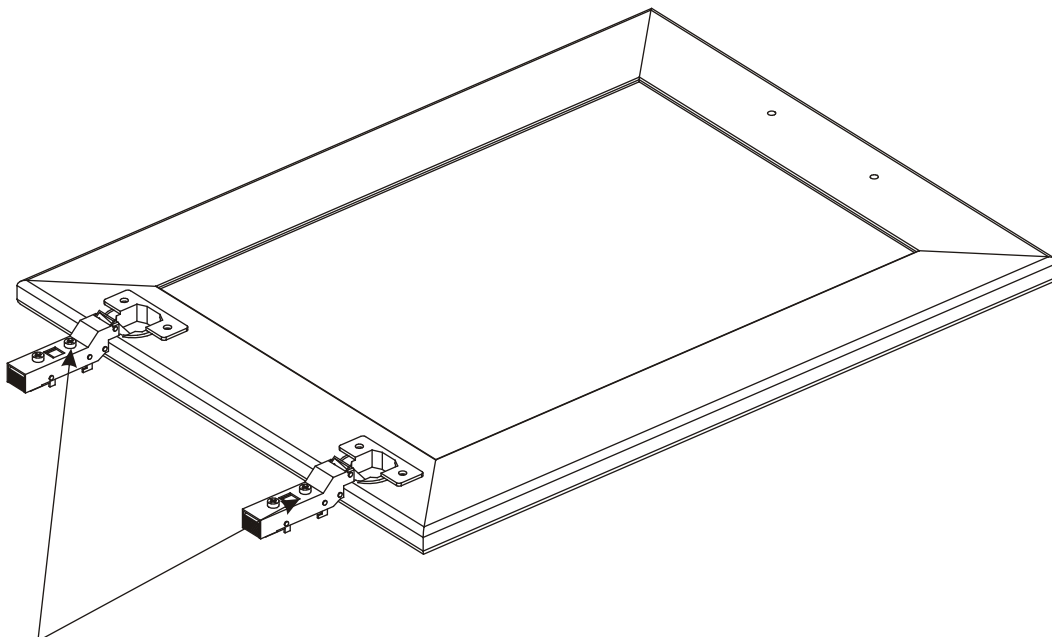


Z2	
x10	Ø5

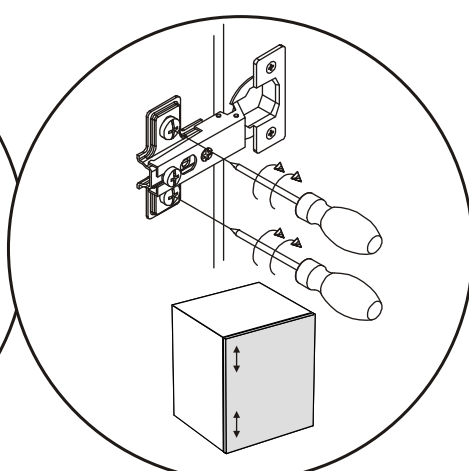
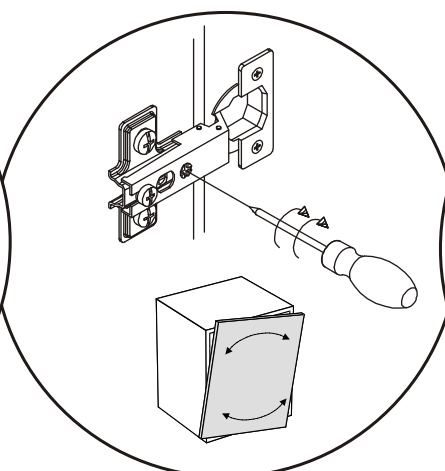
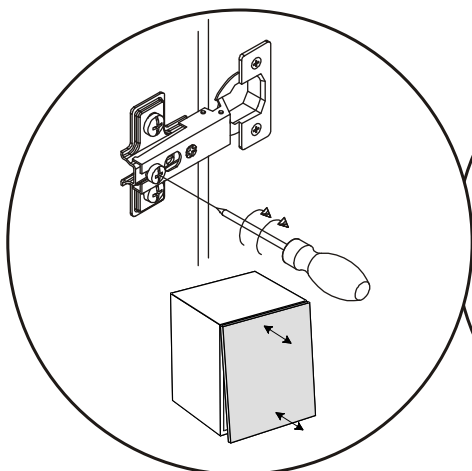
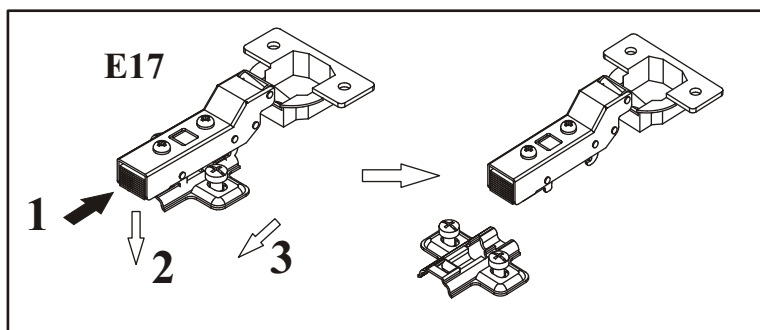
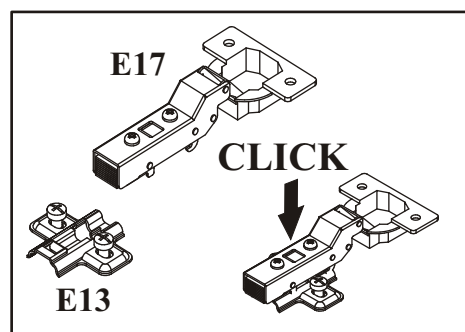
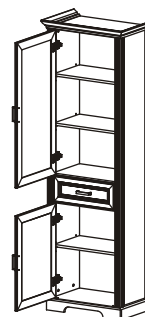
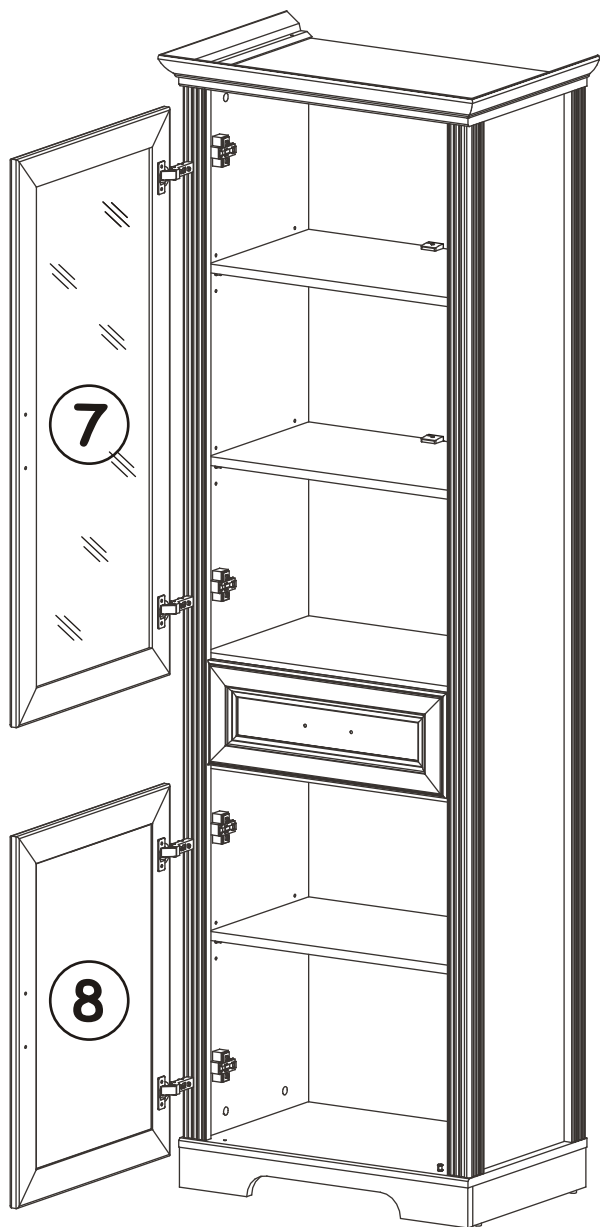
G20	
x2	

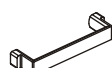
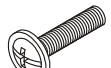
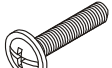


23



24



C19		D16		D4	
x3		x2	M4x16	x4	M4x30

